



## Multi-purpose Radiographic System

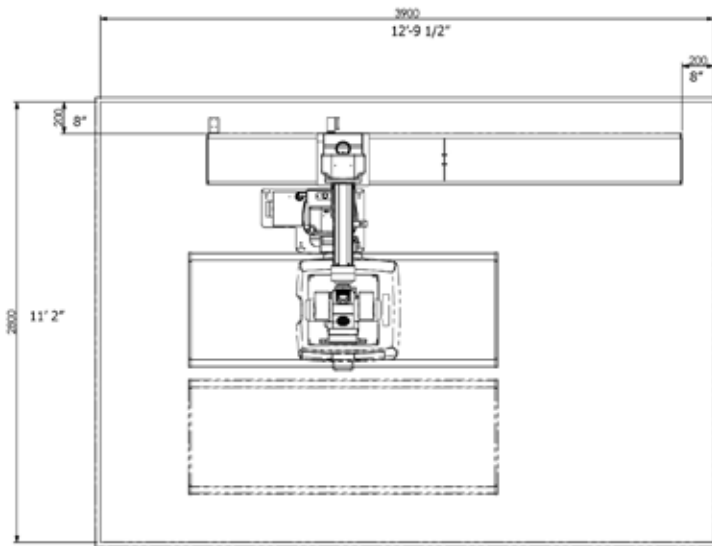
For use with ambulatory patients, this system helps you to improve productivity and optimize workflow.

- **Floor Mounted design minimizes installation requirements.**
- **The FRS is ideal for ambulatory patient settings and comes standard with a 500 lb. patient capacity mobile table.**
- **Available as a CR or DR ready system, the FRS can be adapted to use with most current CR and DR solutions.**

The FRS is also available with the AmRad™ Medical RadVision™ Digital Solution for a fully integrated, single user console, DR System. RadVision™ is available with and without two-step manual stitching.



# AmRad™ Advantage AA4 FRS System



## System Description

Motorized, elevating detector stand with removable grid configured for either CR or DR.

8' x 9' Minimum floor space without mobile table use.

9' x 13' Minimum floor space with mobile table use.

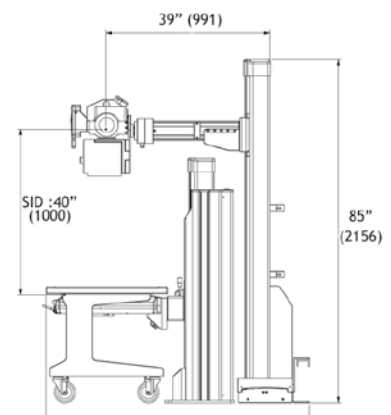
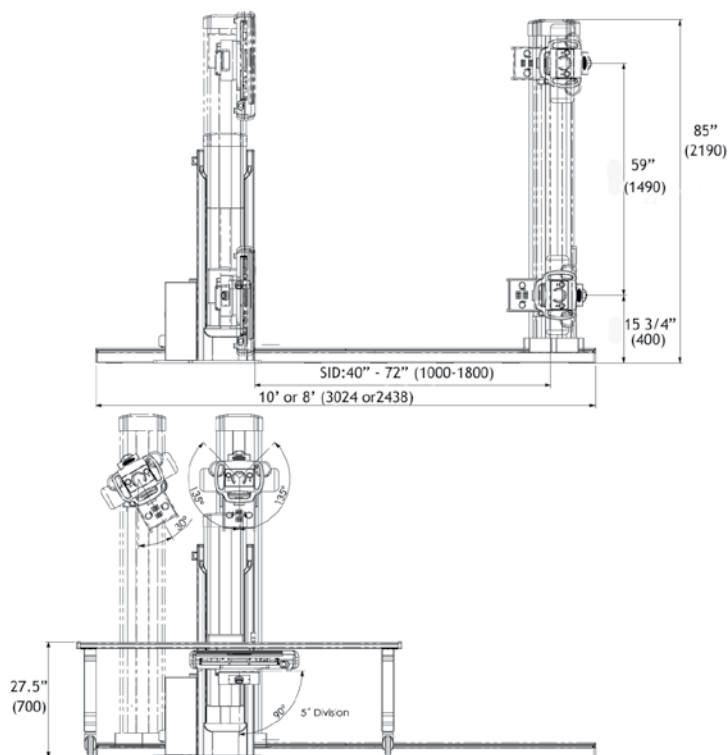
8' Ceiling, minimum

120 Volt, 50/60Hz, 500 VA

Certified manual Collimator

Mobile Table 500 lb. patient capacity

**Options: AEC, Select for CR or DR at time of order.**



2901 W. Lawrence Avenue  
Chicago, IL 60625 USA

Phone: 773-353-4000

Fax: 773-588-3424

Toll Free: 1-888-772-6723

[www.AmradMedical.com](http://www.AmradMedical.com)

LITR028-0712