



FRS Floor Rail System

Work smarter, not harder.

Getting patients in and out of your x-ray suite makes them happy and keeps your waiting room empty. Having a piece of equipment that allows you to do more with less makes this a reality. The AMRAD Medical FRS (Floor Rail System) is a traditional floor mounted tubestand with motorized wallstand that puts the best of upright imaging and table imaging all-in-one.

Perform a full range of exams including:

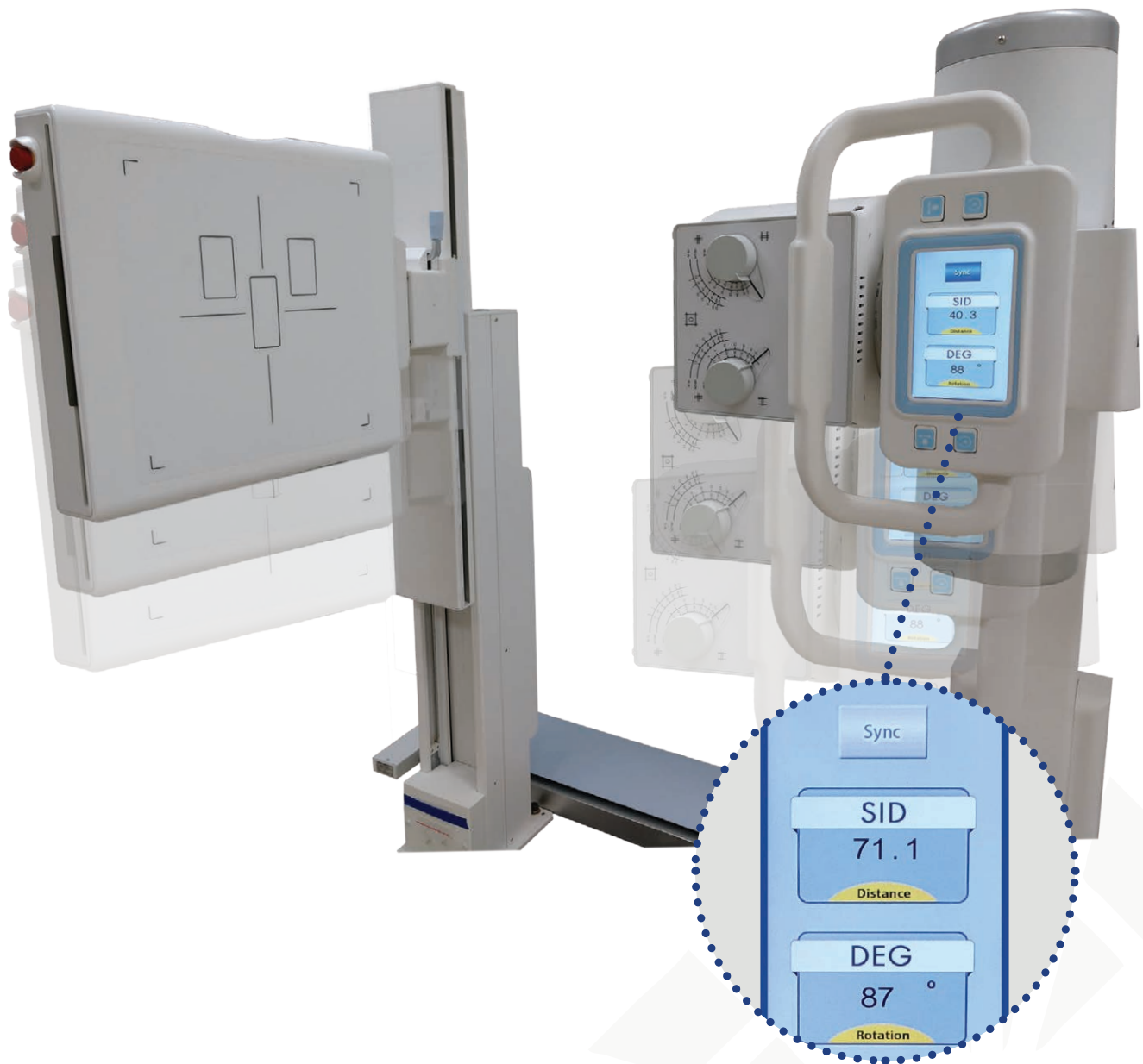
- Upright Thoracic Imaging
- Upper and Lower Extremities
- Weight Bearing Studies
- Table and Cross-Table Exams, with optional mobile table



Features and Benefits

- **Improve Productivity** - Migrating exams to standing positions helps to improve productivity
- **Simplicity** - A simple durable design minimizes the potential for downtime
- **Protect your investment** - The single receptor design protects your DR investment by not requiring panel movement between receptor locations
- **Minimal Learning Curve** - Traditional floor mounted design means no complicated learning curve for technologists
- **Industry's Best Warranty** - 5-year parts warranty, standard, ensuring a low cost of ownership



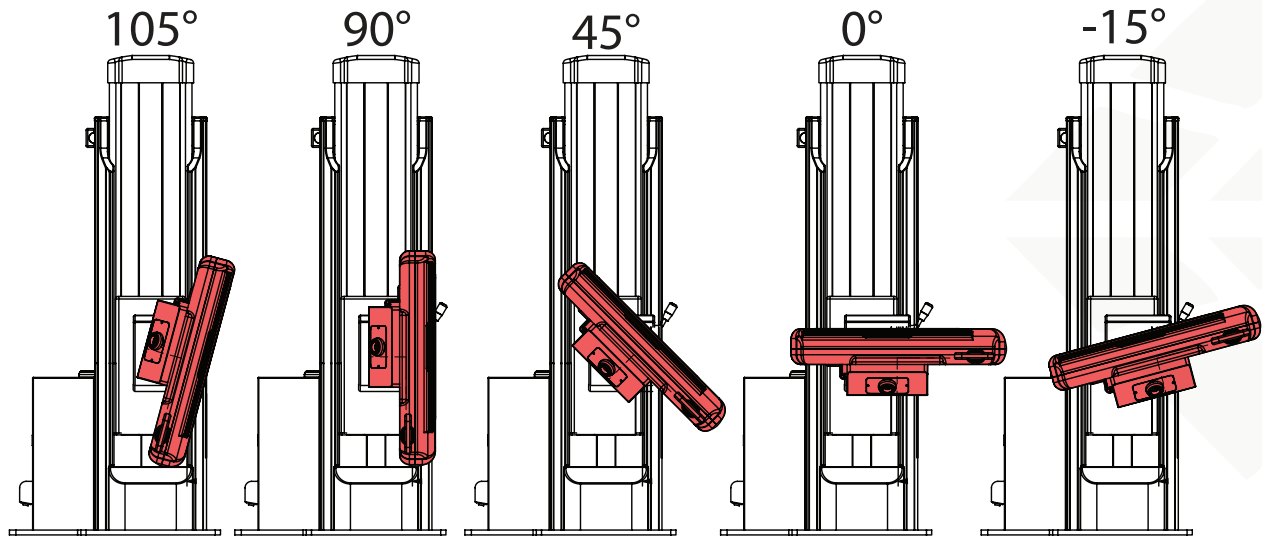


Upgrade to Auto-Tracking!

Quick efficient positioning improves throughput and productivity. The AMRAD® Medical FRS can be equipped with our auto-tracking feature which allows the tech to position the tubestand while staying right beside their patient at the wallstand. With the simple touch of a button on the angulation handle, auto-tracking can be enabled, keeping the tubestand constantly aligned with the wallstand as it is moved up and down for positioning. Any movement of the tubestand will disengage auto-tracking and the tubestand will operate in a manual mode.

Rotation Range -15° to +105° in 5° Increments

Available in Right And Left Load/Shoot Positions



System Description

Motorized Elevating Detector Stand

- Footswitch and hand button operation
- -15° to +105° manual cabinet rotation in 5° increments
- Available with (choose one):
 - Mounting plate for fixed DR
 - Removable 103 line 10:1 grid
- Collision sensing and emergency shut-off

Floor Mount Tubestand

- 8-foot floor rail
- Manual, fully counterbalanced movement
- Electric locks
- Tube rotation: +/- 135°

Mobile Table

- 500 pound patient capacity

Certified Manual Collimator

- LED light source
- Patient Position LASER

Configuration Flexibility

- 30kW to 80kW generators
- Compatible with all DR solutions



SUMMIT INDUSTRIES, LLC

7555 N. Caldwell Avenue, Niles, Illinois 60714

(p) 773-353-4000 | (p) 1-800-729-9729

