

TXR

MAY, 2008 CATALOG





5481 Skyland Blvd.,E – Cottondale, AL 35453 – Phone 205-556-3803 – FAX 205-556-3824

TXR Philosophy

35 Years of Proven Commitment

At TXR, we realize that no two systems are ever used exactly the same way. Therefore, we have developed a line of radiographic equipment to fit the needs of the varying practitioners. Our design and manufacturing criteria has always been to incorporate reliability, value, safety, fast delivery and first class service.

TXR incorporates quality and ETL product safety testing programs to assure high quality, reduced installation time and after sale service costs.

Our standard frequency 400 mA and 500 mA systems with an extensive selection of tables and tube stands address the needs of the cost conscious practitioner. The TXR high frequency systems offered in a range of 32 kW to 80 kW can be paired with a simple fixed top table, 4 way float top table, or an elevating table with a selection of basic tube stands to a full featured ceiling tube mount or floor mount rotating tube stand and wall stand to accommodate the needs of a low volume practice or a very busy practice, clinic or hospital. Regardless of your needs, TXR can configure a radiographic system that will work well in its surroundings.

Worldwide Partners

Through the years, TXR has developed extensive partnerships throughout the world. The TXR products are distributed and installed throughout the world.



The Mission and Commitment of TXR is to Provide Prompt Delivery of Reliable, High Quality, Cost Effective Imaging Systems to Fill the Needs of the World Wide Market



5481 Skyland Blvd.,E – Cottdale, AL 35453 – Phone 205-556-3803 – FAX 205-556-3824

Table of Contents

New	Former		
Model #	Designation	Description	Page
<u>General Purpose Medical Systems</u>			
GP1	<i>NEW</i>	Elevating Table with CTM	1-2
GP2	Systems 13 & 31	Elevating Table with FMT	3-4
GP3	<i>NEW</i>	Elevating Table with F/C Rotate	5-6
GP4	<i>NEW</i>	Elevating Table with F/C Rotate – Cost Effective	7-8
GP5	<i>NEW</i>	4 Way Float Table with F/C Rotate	9-10
GP6	System 12 & 30	4 Way Float Table with F/C Non-Rotate	11-12
GP7	System 10 & 28	Fixed Table with F/C Non-Rotate	13-14
GP8	<i>NEW</i>	URS – Universal Radiographic	15-16
GP9	System 8 & 26	Dedicated Chest	17-18
GP10	<i>NEW</i>	Portables	19-20
<u>Chiropractic Systems</u>			
CH-1D	<i>NEW</i>	DigitalEase	23-24
CH-2D	<i>NEW</i>	DigitalEase II	25-26
CH-DUPG	<i>NEW</i>	DigitalEase Upgrade	27
CH-1	System 1 & 19	14 x 17” Upright	28-29
CH-2	System 5 & 23	14 x 17” Upright – Cost Effective	30-31
CH-3	System 8 & 26	14 x 17” Fixed 40” or 72”	32-33
CH-4	System 2 & 20	14 x 36” Upright	34-35
<u>Veterinary Systems</u>			
V-1D	<i>NEW</i>	DigitalEase	38-39
V-2D	<i>NEW</i>	DigitalEase II	40-41
V-DUPG	<i>NEW</i>	DigitalEase Upgrade	42-43
V1	System 15 & 33	ITT, Fixed SID	44-45
V2	System 16 & 34	ITT, Variable SID	46-47
V3	System 17/8 & 35/6	Trauma, 4 Way Float & F/C Tube Stand	48-49
<u>Generators</u>			
TXR425/525	TXR325/525	400 mA & 500 mA Single Phase	52-53
SHF-310/410	Same	32 & 49 kW HF Generator	54-55
SHF-510/630	Same	50 & 64 kW HF Generator	56-57
SHF-835	Same	84 kW HF Generator	58-59
SHF310/410PSU		32 & 40 kW HF Battery Generators	60-61
<u>Components</u>			
Various		Tube Stands	64-65
Various		Medical Tables	66-67
Various		Veterinary Tables	68-69
Various		Wall Stands	70-71
Various		H.V. Cables/Tubes	72
Various		Grids/ Collimators	73
Various		Grid Cabinets, Buckys & Cassette Trays	74
<u>Warranty</u>			77-78

View Systems @ www.txr.com

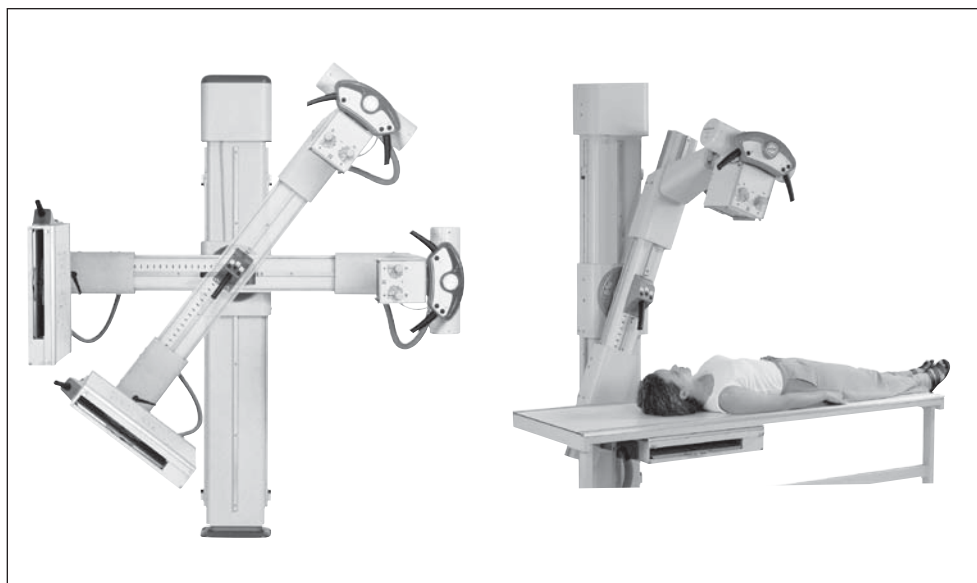
Prices & Specifications Subject to Change Without Notice

Nov, 2008



5481 Skyland Blvd.,E • Coffondale, AL 35453 • Phone 205-556-3803 • Fax 205-556-3824

Medical Systems Flexible Offerings/Configurations



URS – Pages 15-16
Compact, Flexible Upright with Optional Table



4 Way Float – Pages 9-12
Shown with TXR425
& Optional Euro Wall Stand



Elevating Table/FMT – Pages 3-4



HF Generators – Pages 43-50
32 to 80 kW Line
& Battery Operated



OTC – Pages 1-2

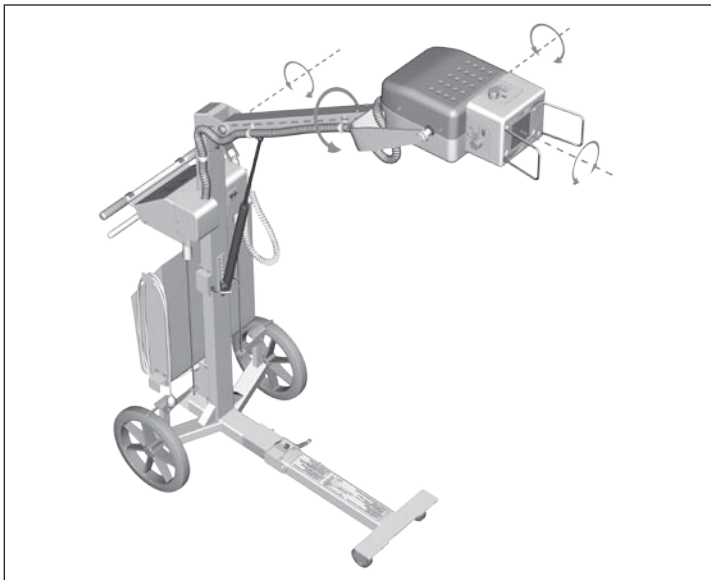


5481 Skyland Blvd.,E • Coffondale, AL 35453 • Phone 205-556-3803 • Fax 205-556-3824

Medical Systems Flexible Offerings/Configurations



TXR Medical Systems Offer Flexibility of Configuring with Standard, Euro or Tilt Wall Stand



Portable Units – Pages 19-20 Output of 50 or 100 mA for Small Hospitals, Clinics & Portable Care Providers.



Standard Frequency Generators Pages 41-42 Output of 400 mA or 500 mA.



5481 Skyland Blvd.,E – Cottdale, AL 35453 – Phone 205-556-3803 – Fax 205-556-3824

GP-1 Options

<u>Cat. No.</u>	<u>Description</u>
-----------------	--------------------

Generator Options:

PED	Pedestal for control console, replaces table mount
AEC-HF-1C-A	Automatic exposure control for High Frequency Generators. Includes electronics to accept up to three chambers, (1) #ICX159 three field ion chamber for table and interconnect cable
SHF 420AP	40 kW generator for 3 Phase 220VAC Operation
SHF 430AP	40 kW generator for 3 Phase 380/480VAC Operation
SHF 520AP	50 kW generator for 3 Phase 220VAC Operation
SHF 530AP	50 kW generator for 3 Phase 380/480VAC Operation
SHF-635AP	64 kW generator for operation on 3 Phase, 380/480VAC, kVp output increased to 150

Table Options:

1011783444	10:1, 178 line grid, replaces 10:1, 103 line
------------	--

Tube Stand Options:

55-14100	Trunnion ring tube mount for 3" anode tubes
----------	---

Wall Stand Options

1011784072	10:1, 178 line grid, replaces 10:1, 103 line
ICX162	Three field ion chamber, left hand load
ICX192	Three field ion chamber, right hand load

Tube Options:

E7252GX	300,000 H.U. 0.6-1.2mm tube, 180° replaces E7242GX
---------	--

Warranty:

HF-WARR-3	Extend HF generator & tube warranty from 1 year to 5 years
-----------	--



View Systems @ www.txr.com



5481 Skyland Blvd.,E – Cottdale, AL 35453 – Phone 205-556-3803 – Fax 205-556-3824

System GP-1 Elevating Table with CTM

Complete System with Generator Noted

<u>System #</u>	<u>GP-1 Elevating Table, Ceiling Tube Mount</u>
GP1-SHF410AP	40 kW HF, 500 mA, APR, table mount & hand switch
GP1-SHF510AP	50 kW HF, 640 mA, APR, table mount & hand switch
GP1-SHF630AP	64 kW HF, 640 mA, APR, table mount & hand switch
GP1-SHF835AP	80 kW HF, 800 mA. APR, 300kHU tube, table mt. & hand switch
<i>SHF410AP/510AP Priced for Operation on 1 Phase, 220/240VAC – See Options for 3 Phase SHF630 & SHF835 Requires 3 Phase</i>	

<u>Catalog No.</u>	<u>Description</u>
S-HL	Elevating, Four Way Float Top Table <u>-750 Lb. Patient Load</u>
	<ul style="list-style-type: none"> • 86.5” x 31.5” float table top • 43.3” longitudinal and 9.5” lateral table top travel • Collision protection • Super speed bucky
1011033444	• 103 line, 10:1 ratio 34-44” focal range grid
NS-1001	• Heavy duty manual cassette tray
S-CTM	Ceiling Tube Mount
	<ul style="list-style-type: none"> • 174” Ceiling Rails, 118” Bridge Rails • 70” Vertical Travel, 118” Transverse Travel • Spring Counterbalanced Ceiling Mount with Aluminum Rails and Four Telescoping Sections • 360° Vertical Axis Rotation • Digital SID Display
S-WH	Wall Stand With Bucky
	<ul style="list-style-type: none"> • Floor to Wall Mount with magnetic locks • 17”x17” Super Speed Bucky
PF ION	• Front panel
NS-1001	• Heavy duty manual cassette tray
1011034072	• 103 line, 10:1 ratio, 40” to 72” focal range grid
E7242GX	X-Ray Tube – 200,000 heat unit, 0.6-1.5 mm focal spots, 180° horn
S-RL	Collimator – Certified manual collimator
10530-50	Cables, Pair – 50’ long

System Carries 1 Year Warranty – See Options to Extend Generator & Tube Warranty

View Systems @ www.txr.com



5481 Skyland Blvd.,E – Cottdale, AL 35453 – Phone 205-556-3803 – Fax 205-556-3824

GP-2 Options

Cat. No.	Description
<u>Generator Options:</u>	
PED	Pedestal for control console, replaces table mount
A3500-1C	Forced Extinction Unit for Standard Frequency Generator with 1 #ICX159 three field ion chamber for table (includes basic control selector module, 45' interconnect cable to x-ray control, ion chamber and 45' interconnect cable from chamber to AEC control)
AEC-HF-1C-A	Automatic exposure control for High Frequency Generators. Includes electronics to accept up to three chambers, (1) #ICX159 three field ion chamber for table and interconnect cable
SHF 320AP	32 kW generator for 3 Phase 220VAC Operation
SHF 330AP	32 kW generator for 3 Phase 380/480VAC Operation
SHF 420AP	40 kW generator for 3 Phase 220VAC Operation
SHF 430AP	40 kW generator for 3 Phase 380/480VAC Operation
SHF 520AP	50 kW generator for 3 Phase 220VAC Operation
SHF 530AP	50 kW generator for 3 phase 380/480VAC Operation
SH-50	50 HZ operation for TXR425 and TXR525 generators
<u>Table Options:</u>	
1011783444	10:1, 178 line grid, replaces 10:1, 103 line
<u>Tube Stand Options:</u>	
55-14100	Trunnion ring tube mount for 3" anode tubes
<u>Wall Stand Options</u>	
1011784072	10:1, 178 line grid, replaces 10:1, 103 line
BKY	17"x17" Super speed bucky, replaces grid cabinet
13-BF-7 Euro	Euro style side mount grid cabinet, space saver
BS-FM	Adaption for wall stand to mount free standing
Tilt Ease III	Tilt mechanism, heavy duty, for grid cabinet or bucky, Not available on Euro style side mount wall stand
ICX162	Ion chamber, left hand load
ICX192	Ion chamber, right hand load
<u>Tube Options:</u>	
E7239GX	140,000 H.U. 1.0-2.0mm tube,180°, replaces E7239FX
E7242FX	200,000 H.U. 0.6-1.5mm tube, 90° replaces E7239FX
E7242X	200,000 H.U. 0.6-1.5mm tube, 270° replaces E7239FX
E7252X	300,000 H.U. 0.6-1.2mm tube, 270° replaces E7239FX
<u>Warranty:</u>	
HF-WARR-3	Extend HF generator & tube warranty from 1 year to 5 years

View Systems @ www.txr.com

Prices & Specifications Subject to Change Without Notice
Nov, 2008



5481 Skyland Blvd.,E – Cottdale, AL 35453 – Phone 205-556-3803 – Fax 205-556-3824

System GP-2 Elevating Table with Floor Mount Rotate Tube Stand

Complete System with Generator Noted

<u>System #</u>	<u>GP-2 Elevating Table, Floor Mount Tbstd.</u>
GP2-TXR425	Single phase, 400 mA, 125 kVp generator
GP2-TXR525	Single phase, 500 mA, 125 kVp generator
GP2-SHF310AP	32 kW HF, 400 mA, APR, table mount & hand switch
GP2-SHF310APPSU	32 kW Battery HF, 400 mA/APR, table mount & hand switch
GP2-SHF410AP	40 kW HF, 500 mA, APR, table mount & hand switch
GP2-SHF510AP	50 kW HF, 640 mA, APR, 200kHU tube, table mt. & hand switch
<i>SHF310AP/410AP/510AP Priced for Operation on 1 Phase, 220/240VAC – See Options for 3 Phase</i>	

<u>Catalog No.</u>	<u>Description</u>
S-HL	Elevating, Four Way Float Top Table -750 Lb. Patient Load
	<ul style="list-style-type: none"> • 86.5” x 31.5” float table top • 43.3” longitudinal and 9.5” lateral table top travel • Collision protection • Super speed bucky
1011033444	• 103 line, 10:1 ratio 34-44” focal range grid
NS-1001	• Heavy duty manual cassette tray
S-FMT	Floor Mount Tube Stand
	<ul style="list-style-type: none"> • 11.8” Transverse travel, 180° rotation, vertical travel 15.7” to 63.8” • Platform tube mount • Magnetic brakes for longitudinal, transverse, vertical & tube rotation • 86.6” floor track provides 78.7” longitudinal tube travel
13-BF-7 17E	Wall Stand With Grid Cabinet
	<ul style="list-style-type: none"> • Floor to Wall Mount with magnetic locks (84” column)
GC-HD	• 17”x17” grid cabinet
PF ION	• Front panel
NS-1001	• Heavy duty manual cassette tray
1011034072	• 103 line, 10:1 ratio, 40” to 72” focal range grid
E7239FX	X-Ray Tube - 140,000 heat unit, 1.0-2.0 mm focal spots with 90° horn angle
S-RL	Collimator - Certified manual collimator
10525-20	Cables, Pair - 20’ long

System Carries 1 Year Warranty – See Options to Extend Generator & Tube Warranty

View Systems @ www.txr.com



5481 Skyland Blvd.,E – Cottdale, AL 35453 – Phone 205-556-3803 – Fax 205-556-3824

GP-3 Options

<u>Cat. No.</u>	<u>Description</u>
<u>Generator Options:</u>	
PED	Pedestal for control console, replaces table mount stand
A3500-1C	Forced Extinction Unit for Standard Frequency Generator with 1 #ICX159 three field ion chamber for table (includes basic control selector module, 45' interconnect cable to x-ray control, ion chamber and 45' interconnect cable from chamber to AEC control)
AEC-HF-1C-A	Automatic exposure control for High Frequency Generators . Includes electronics to accept up to three chambers, (1) #ICX159 three field ion chamber for table and interconnect cable
SHF 320AP	32 kW generator for 3 Phase 220VAC Operation
SHF 330AP	32 kW generator for 3 Phase 380/480VAC Operation
SHF 420AP	40 kW generator for 3 Phase 220VAC Operation
SHF 430AP	40 kW generator for 3 Phase 380/480VAC Operation
SF-50	50 HZ operation for TXR425 and TXR525 generators
<u>Table Options:</u>	
1011783444	10:1, 178 line grid, replaces 10:1, 103 line
<u>Tube Stand Options:</u>	
55-14100	Trunnion ring tube mount for 3" anode tubes
C-SM-12	12' Rails, replaces 10'
<u>Wall Stand Options</u>	
1011784072	10:1, 178 line grid, replaces 10:1, 103 line
BKY	17"x17" Super speed bucky, replaces grid cabinet
BS-FM	Adaption for wall stand to mount free standing
13-BF-7 Euro	Euro style side mount grid cabinet, space saver
Tilt Ease III	Tilt mechanism, heavy duty, for grid cabinet or bucky, Not available on Euro wall stand
ICX162	Ion chamber, left hand load
ICX192	Ion chamber, right hand load
<u>Tube Options:</u>	
E7239GX	140,000 H.U. 1.0-2.0mm tube, 180° replaces E7239FX
E7242FX	200,000 H.U. 0.6-1.5mm tube, 90° replaces E7239FX
E7242X	200,000 H.U. 0.6-1.5mm tube, 270° replaces E7239FX
E7252X	300,000 H.U. 0.6-1.2mm tube, 270° replaces E7239FX
<u>Warranty:</u>	
HF-WARR-3	Extend HF generator warranty from 2 years to 5 years

View Systems @ www.txr.com

Prices & Specifications Subject to Change Without Notice
Nov, 2008



5481 Skyland Blvd.,E – Cottdale, AL 35453 – Phone 205-556-3803 – Fax 205-556-3824

System GP-3 Elevating Table with F/C Rotate Tube Stand

Complete System with Generator Noted

<u>System #</u>	<u>GP-3 Elevating Table, F/C Rotate System</u>
GP3-TXR425	Single phase, 400 mA, 125 kVp generator
GP3-TXR525	Single phase, 500 mA, 125 kVp generator
GP3-SHF310AP	32 kW HF, 400 mA, APR, table mount & hand switch
GP3-SHF310APPSU	32 kW Battery HF, 400 mA/APR, table mount & hand switch
GP3-SHF410AP	40 kW HF, 500 mA, APR, table mount & hand switch
<i>SHF310AP/410AP Priced for Operation on 1 Phase, 220/ 240VAC – See Options for 3 Phase</i>	

<u>Catalog No.</u>	<u>Description</u>
S-HL	Elevating, Four Way Float Top Table -750 Lb. Patient Load
	<ul style="list-style-type: none"> • 86.5” x 31.5” float table top • 43.3” longitudinal and 9.5” lateral table top travel • Crash Protection • Super speed bucky
1011033444	• 103 line, 10:1 ratio 34-44” focal range grid
NS-1001	• Heavy duty manual cassette tray
C-SM	Floor Ceiling Rotate Tube Stand
	<ul style="list-style-type: none"> • Floor to ceiling or floor to wall mounted • +/-5” Transverse travel, 180° rotation, vertical travel 14.5” to 76” • Fits in ceiling heights of 96” to 120” • Platform tube mount, angulation dial and operator handles • Magnetic locks control longitudinal, transverse, vertical and tube rotation • 10 foot tracks
13-BF-7 17E	Wall Stand With Grid Cabinet
	<ul style="list-style-type: none"> • Floor to Wall Mount with magnetic locks (84” column)
GC-HD	• 17”x17” grid cabinet
PF ION	• Front panel
NS-1001	• Heavy duty manual cassette tray
1011034072	• 103 line, 10:1 ratio, 40” to 72” focal range grid
E7239FX	X-Ray Tube - 140,000 heat unit, 1.0-2.0 mm focal spots with 90° horn angle
S-RL	Collimator - Certified manual collimator
10525-20	Cables, Pair - 20’ long

View Systems @ www.txr.com

Prices & Specifications Subject to Change Without Notice
Nov, 2008



5481 Skyland Blvd.,E – Cottdale, AL 35453 – Phone 205-556-3803 – Fax 205-556-3824

GP-4 Options

<u>Cat. No.</u>	<u>Description</u>
<u>Generator Options:</u>	
PED	Pedestal for control console, replaces table mount stand
A3500-1C	Forced Extinction Unit for Standard Frequency Generator with 1 #ICX159 three field ion chamber for table (includes basic control selector module, 45' interconnect cable to x-ray control, ion chamber and 45' interconnect cable from chamber to AEC control)
AEC-HF-1C-A	Automatic exposure control for High Frequency Generators . Includes electronics to accept up to three chambers, (1) #ICX159 three field ion chamber for table and interconnect cable
SHF 320AP	32 kW generator for 3 Phase 220VAC Operation
SHF 330AP	32 kW generator for 3 Phase 380/480VAC Operation
SHF 420AP	40 kW generator for 3 Phase 220VAC Operation
SHF 430AP	40 kW generator for 3 Phase 380/480VAC Operation
SF-50	50 HZ operation for TXR425 and TXR525 generators
<u>Table Options:</u>	
1011783444	10:1, 178 line grid, replaces 10:1, 103 line
<u>Tube Stand Options:</u>	
55-14100	Trunnion ring tube mount for 3" anode tubes
13-RA-10	10' Rails, replaces 8'
13-RA-12	12' Rails, replaces 8'
<u>Wall Stand Options</u>	
BKY	17"x17" Super speed bucky, replaces grid cabinet
13-BF-7 Euro	Euro style side mount grid cabinet, space saver
BS-FM	Adaption for wall stand to mount free standing
1011784072	10:1, 178 line grid, replaces 10:1, 103 line
Tilt Ease III	Tilt mechanism, heavy duty, for grid cabinet or bucky, Not available on Euro wall stand
ICX162	Ion chamber, left hand load
ICX192	Ion chamber, right hand load
<u>Tube Options:</u>	
E7239GX	140,000 H.U. 1.0-2.0mm tube, 180° replaces E7239FX
E7242FX	200,000 H.U. 0.6-1.5mm tube, 90° replaces E7239FX
E7242X	200,000 H.U. 0.6-1.5mm tube, 270° replaces E7239FX
E7252X	300,000 H.U. 0.6-1.2mm tube, 270° replaces E7239FX
<u>Warranty:</u>	
HF-WARR-3	Extend HF generator warranty from 2 years to 5 years

View Systems @ www.txr.com

Prices & Specifications Subject to Change Without Notice
Nov, 2008



5481 Skyland Blvd.,E – Cottdale, AL 35453 – Phone 205-556-3803 – Fax 205-556-3824

System GP-4 Elevating Table with F/C Non-Rotate Tube Stand

Complete System with Generator Noted

<u>System #</u>	<u>GP-4 Elevating Table, F/C Non-Rotate System</u>
GP4-TXR425	Single phase, 400 mA, 125 kVp generator
GP4-TXR525	Single phase, 500 mA, 125 kVp generator
GP4-SHF310AP	32 kW HF, 400 mA, APR, table mount & hand switch
GP4-SHF310APPSU	32 kW Battery HF, 400 mA/APR, table mount & hand switch
GP4-SHF410AP	40 kW HF, 500 mA, APR, table mount & hand switch

SHF310AP/410AP Priced for Operation on 1 Phase, 220/240VAC – See Options for 3 Phase

<u>Catalog No.</u>	<u>Description</u>
S-HL	Elevating, Four Way Float Top Table <u>-750 Lb. Patient Load</u>
	<ul style="list-style-type: none"> • 86.5” x 31.5” float table top • 43.3” longitudinal and 9.5” lateral table top travel • Collision protection • Super speed bucky
1011033444	<ul style="list-style-type: none"> • 103 line, 10:1 ratio 34-44” focal range grid
NS-1001	<ul style="list-style-type: none"> • Heavy duty manual cassette tray
13-RA-84	Floor Ceiling Non-Rotate Tube Stand
	<ul style="list-style-type: none"> • Floor to ceiling or floor to wall mounted • Fits in ceiling heights of 89.5” to 113.5” • Vertical travel of 9.5” to 78” • Platform tube mount, angulation dial and operator handles • Magnetic locks control longitudinal, vertical and tube rotation • 8 foot tracks
13-BF-7 17E	Wall Stand With Grid Cabinet
	<ul style="list-style-type: none"> • Floor to Wall Mount with magnetic locks (84” column)
GC-HD	<ul style="list-style-type: none"> • 17”x17” grid cabinet
PF ION	<ul style="list-style-type: none"> • Front panel
NS-1001	<ul style="list-style-type: none"> • Heavy duty manual cassette tray
1011034072	<ul style="list-style-type: none"> • 103 line, 10:1 ratio, 40” to 72” focal range grid
E7239FX	X-Ray Tube – 140,000 heat unit, 1.0-2.0 mm focal spots with 90° horn angle
S-RL	Collimator – Certified manual collimator
10525-20	Cables, Pair – 20’ long

View Systems @ www.txr.com



5481 Skyland Blvd.,E – Cottdale, AL 35453 – Phone 205-556-3803 – Fax 205-556-3824

GP-5 Options

<u>Cat. No.</u>	<u>Description</u>
<u>Generator Options:</u>	
PED	Pedestal for control console, replaces table mount
A3500-1C	Forced Extinction Unit for Standard Frequency Generator with 1 #ICX159 three field ion chamber for table (basic control selector module, 45' interconnect cable to x-ray control, ion chamber and 45' interconnect cable from chamber to AEC control)
AEC-HF-1C-A	Automatic exposure control for High Frequency Generators. Includes electronics to accept up to three chambers, (1) #ICX159 three field ion chamber for table & interconnect cable
SHF 320AP	32 kW generator for 3 Phase 220VAC Operation
SHF 330AP	32 kW generator for 3 Phase 380/480VAC Operation
SHF 420AP	40 kW generator for 3 Phase 220VAC Operation
SHF 430AP	40 kW generator for 3 Phase 380/480VAC Operation
SF-50	50 HZ operation for TXR425 and TXR525 generators
<u>Table Options:</u>	
BKY	17" x 17" Super speed bucky, replaces grid cabinet
1011783444	10:1, 178 line grid, replaces 10:1, 103 line
13-FBT-4WFT-E	4 Way Float, 78" x 29" Top, 400 Lb. Patient Load
13-FBT-DL	Drop leaf, adds 12" to table length, specify left or right hand mount – Not available on 13-FBT-4WFT-E
<u>Tube Stand Options:</u>	
13-RA-12	12' Rails, replaces 8'
<u>Wall Stand Options</u>	
BKY	17"x17" Bucky, replaces grid cabinet
BS-FM	Adaption for wall stand to mount free standing
13-BF-7 Euro	Euro style side mount grid cabinet, space saver
1011784072	10:1, 178 line grid, replaces 10:1, 103 line
Tilt Ease III	Tilt mechanism, heavy duty, for grid cabinet or bucky Not available on Euro wall stand
ICX162	Ion chamber, left hand load
ICX192	Ion chamber, right hand load
<u>Tube Options:</u>	
E7239GX	140,000 H.U. 1.0-2.0mm tube, 180° replaces E7239FX
E7242FX	200,000 H.U. 0.6-1.5mm tube, 90° replaces E7239FX
E7242X	200,000 H.U. 0.6-1.5mm tube, 270° replaces E7239FX
E7252X	300,000 H.U. 0.6-1.2mm tube, 270° replaces E7239FX
<u>Warranty:</u>	
HF-WARR-3	Extend HF generator warranty from 2 years to 5 years

View Systems @ www.txr.com

Prices & Specifications Subject to Change Without Notice
Nov, 2008

Page 9



5481 Skyland Blvd.,E – Cottdale, AL 35453 – Phone 205-556-3803 – Fax 205-556-3824

System GP-5 4 Way Float Top Table with F/C Rotate Tube Stand

Complete System with Generator Noted

<u>System #</u>	<u>GP-5 4 Way Float Table, F/C Rotate System</u>
GP5-TXR425	Single phase, 400 mA, 125 kVp generator
GP5-TXR525	Single phase, 500 mA, 125 kVp generator
GP5-SHF310AP	32 kW HF, 400 mA, APR, table mount & hand switch
GP5-SHF310APPSU	32 kW Battery HF, 400 mA.APR, table mount & hand switch
GP5-SHF410AP	40 kW HF, 500 mA, APR, table mount & hand switch
<i>SHF310AP/410AP Priced for Operation on 1 Phase, 220/240VAC – See Options for 3 Phase</i>	

<u>Catalog No.</u>	<u>Description</u>
13-FBT-4WFT	Four Way Float Top Table – 325 Lb. Patient Load
	<ul style="list-style-type: none"> • 72" x 27.5" float top table • Heavy duty grid cabinet • 103 line, 10:1 ratio 34-44" focal range grid • Heavy duty manual cassette tray
GC-HD 1011033444 NS-1001	
C-SM	Floor Ceiling Rotate Tube Stand
	<ul style="list-style-type: none"> • Floor to ceiling or floor to wall mounted • +/-5" Transverse travel, 180° rotation • Platform tube mount, angulation dial and operator handles • Magnetic locks control longitudinal, transverse, vertical and tube rotation • 10 foot tracks
13-BF-7 17E	Wall Stand With Grid Cabinet
	<ul style="list-style-type: none"> • Floor to Wall Mount with magnetic locks • 17"x17" grid cabinet • Front panel • Heavy duty manual cassette tray • 103 line, 10:1 ratio, 40" to 72" focal range grid
GC-HD PF ION NS-1001 1011034072	
E7239FX	X-Ray Tube - 140,000 heat unit, 1.0-2.0 mm focal spots with 90° horn angle
S-RL	Collimator - Certified manual collimator
10525-20	Cables, Pair - 20' long

View Systems @ www.txr.com

Prices & Specifications Subject to Change Without Notice
Nov, 2008



5481 Skyland Blvd.,E – Cottdale, AL 35453 – Phone 205-556-3803 – Fax 205-556-3824

GP-6 Options

Cat. No.	Description
<u>Generator Options:</u>	
PED	Pedestal for control console, replaces table mount
A3500-1C	Forced Extinction Unit for Standard Frequency Generator with 1 #ICX159 three field ion chamber for table (basic control selector module, 45' interconnect cable to x-ray control, ion chamber and 45' interconnect cable from chamber to AEC control)
AEC-HF-1C	Automatic exposure control for High Frequency Generators . Includes electronics, (1) #ICX159 three field ion chamber and interconnect cable
SHF 320AP	32 kW generator for 3 Phase 220VAC Operation
SHF 330AP	32 kW generator for 3 Phase 380/480VAC Operation
SHF 420AP	40 kW generator for 3 Phase 220VAC Operation
SHF 430AP	40 kW generator for 3 Phase 380/480VAC Operation
SF-50	50 HZ operation for TXR425 and TXR525 generators
<u>Table Options:</u>	
BKY	17" x 17" Super speed bucky, replaces grid cabinet
1011783444	10:1, 178 line grid, replaces 10:1, 103 line
13-FBT-4WFT-E	4 Way Float, 78" x 29" Top, 400 Lb. Patient Load
13-FBT-DL	Drop leaf, adds 12" to table length, specify left or right hand mount – Not available on 13-FBT-4WFT-E
<u>Tube Stand Options:</u>	
13-RA-10	10' Rails, replaces 8'
13-RA-12	12' Rails, replaces 8'
<u>Wall Stand Options</u>	
BKY	17"x17" Super speed bucky, replaces grid cabinet
13-BF-7 Euro	Euro style side mount grid cabinet, space saver
BS-FM	Adaption for wall stand to mount free standing
1011784072	10:1, 178 line grid, replaces 10:1, 103
Tilt Ease III	Tilt mechanism, heavy duty, for grid cabinet or bucky Not available on Euro wall stand
ICX162	Ion chamber, left hand load
ICX192	Ion chamber, right hand load
<u>Tube Options:</u>	
E7239GX	140,000 H.U. 1.0-2.0mm tube, 180° replaces E7239FX
E7242FX	200,000 H.U. 0.6-1.5mm tube, 90° replaces E7239FX
E7242X	200,000 H.U. 0.6-1.5mm tube, 270° replaces E7239FX
E7252X	300,000 H.U. 0.6-1.2mm tube, 270° replaces E7239FX
<u>Warranty:</u>	
HF-WARR-3	Extend HF generator warranty from 2 years to 5 years

View Systems @ www.txr.com

Prices & Specifications Subject to Change Without Notice
Nov, 2008

Page 11



5481 Skyland Blvd.,E – Cottdale, AL 35453 – Phone 205-556-3803 – Fax 205-556-3824

System GP-6 ***4 Way Float Top Table with F/C Non-Rotate Tube Stand***

Complete System with Generator Noted

<u>System #</u>	<u>GP-6 4 Way Float Table, F/C System</u>
GP6-TXR425	Single phase, 400 mA, 125 kVp generator
GP6-TXR525	Single phase, 500 mA, 125 kVp generator
GP6-SHF310AP	32 kW HF, 400 mA, APR, table mount & hand switch
GP6-SHF310APPSU	32 kW Battery HF, 400 mA/APR, table mount & hand switch
GP6-SHF410AP	40 kW HF, 500 mA, APR, table mount & hand switch
<i>SHF310AP/410AP Priced for Operation on 1 Phase, 220/240VAC – See Options for 3 Phase</i>	

<u>Catalog No.</u>	<u>Description</u>
13-FBT-4WFT	Four Way Float Top Table – 325 Lb. Patient Load
GC-HD	• 72" x 27.5" float top table
1011033444	• Heavy duty grid cabinet
NS-1001	• 103 line, 10:1 ratio 34-44" focal range grid
	• Heavy duty manual cassette tray
13-RA-84	Floor Ceiling Non-Rotate Tube Stand
	• Floor to ceiling or floor to wall mounted
	• Fits in ceiling heights of 89.5" to 113.5"
	• Vertical travel of 9.5" to 78"
	• Platform tube mount, angulation dial and operator handles
	• Magnetic locks control longitudinal, vertical and tube rotation
	• 8 foot tracks
13-BF-7 17E	Wall Stand With Grid Cabinet
GC-HD	• Floor to Wall Mount with magnetic locks (84" column)
PF ION	• 17"x17" grid cabinet
NS-1001	• Front panel
1011034072	• Heavy duty manual cassette tray
	• 103 line, 10:1 ratio, 40" to 72" focal range grid
E7239FX	X-Ray Tube - 140,000 heat unit, 1.0-2.0 mm focal spots with 90° horn angle
S-RL	Collimator - Certified manual collimator with swivel mount
10525-20	Cables, Pair - 20' long

View Systems @ www.txr.com

Prices & Specifications Subject to Change Without Notice
Nov, 2008



5481 Skyland Blvd.,E – Cottdale, AL 35453 – Phone 205-556-3803 – Fax 205-556-3824

GP-7 Options

Cat. No.	Description
<u>Generator Options:</u>	
PED	Pedestal for control console, replaces table mount
A3500-1C	Forced Extinction Unit for Standard Frequency Generator with 1 #ICX159 three field ion chamber for table (includes basic control selector module, 45' interconnect cable to x-ray control, ion chamber and 45' interconnect cable from chamber to AEC control)
AEC-HF-1C-A	Automatic exposure control for High Frequency Generators. Includes electronics to accept up to three chambers, (1) #ICX159 three field ion chamber for table & interconnect cable
SHF 320AP	32 kW generator for 3 Phase 220VAC Operation
SHF 330AP	32 kW generator for 3 Phase 380/480VAC Operation
SHF 420AP	40 kW generator for 3 Phase 220VAC Operation
SHF 430AP	40 kW generator for 3 Phase 380/480VAC Operation
SF-50	50 HZ operation for TXR25 and TXR525 generators
<u>Table Options:</u>	
BKY	14" x 17" Super speed bucky, replaces grid cabinet
1011783444	10:1, 178 line grid, replaces 10:1, 103 line
13-FBT-DL	Drop leaf, adds 12" to table length, specify left or right mount
<u>Tube Stand Options:</u>	
13-RA-10	10' Rails, replaces 8'
13-RA-12	12' Rails, replaces 8'
<u>Wall Stand Options</u>	
BKY	17" x 17" Super speed bucky, replaces grid cabinet
13-BF-7 Euro	Euro style side mount grid cabinet, space saver
BS-FM	Adaption for wall stand to mount free standing
1011784072	10:1, 178 line grid, replaces 10:1, 103 line
Tilt Ease III	Tilt mechanism, heavy duty, for grid cabinet or bucky
	Not available on Euro wall stand
ICX162	Ion chamber, left hand load
ICX192	Ion chamber, right hand load
<u>Tube Options:</u>	
E7239GX	140,000 H.U. 1.0-2.0mm tube, 180° replaces E7239FX
E7242FX	200,000 H.U. 0.6-1.5mm tube, 90° replaces E7239FX
E7242X	200,000 H.U. 0.6-1.5mm tube, 270° replaces E7239FX
E7252X	300,000 H.U. 0.6-1.2mm tube, 270° replaces E7239FX
<u>Warranty:</u>	
HF-WARR-3	Extend HF generator warranty from 2 years to 5 years

View Systems @ www.txr.com

Prices & Specifications Subject to Change Without Notice
Nov, 2008



5481 Skyland Blvd.,E – Cottdale, AL 35453 – Phone 205-556-3803 – Fax 205-556-3824

System GP-7
Stationary Top Table with F/C Non-Rotate Tube Stand

Complete System with Generator Noted

<u>System #</u>	<u>GP-7 Stationary Table, F/C System</u>
GP7-TXR425	Single phase, 400 mA, 125 kVp generator
GP7-TXR525	Single phase, 500 mA, 125 kVp generator
GP7-SHF310AP	32 kW HF, 400 mA, APR, table mount & hand switch
GP7-SHF310APPSU	32 kW Battery HF, 400 mA/APR, table & hand switch
GP7-SHF410AP	40 kW HF, 500 mA, APR, table mount & hand switch
<i>SHF310AP/410AP Priced for Operation on 1 Phase, 220/240VAC – See Options for 3 Phase</i>	

<u>Catalog No.</u>	<u>Description</u>
13-FBT	Stationary Top Table – 325 Lb. Patient Load
	<ul style="list-style-type: none"> • 72" x 27.5" table top
GC-HD	<ul style="list-style-type: none"> • Heavy duty grid cabinet
1011033444	<ul style="list-style-type: none"> • 103 line, 10 ratio 34-44" focal range grid
NS-1001	<ul style="list-style-type: none"> • Heavy duty manual cassette tray
13-RA-84	Floor Ceiling Tube Stand
	<ul style="list-style-type: none"> • Floor to ceiling or floor to wall mounted • Fits in ceiling heights of 89.5" to 113.5" • Platform tube mount, angulation dial and operator handles • Magnetic locks control longitudinal, vertical and tube rotation • 8 foot tracks
13-BF-7 17E	Wall Stand With Grid Cabinet
	<ul style="list-style-type: none"> • Floor to Wall Mount with magnetic locks (84" column)
GC-HD	<ul style="list-style-type: none"> • 17"x17" grid cabinet
PF ION	<ul style="list-style-type: none"> • Front panel
NS-1001	<ul style="list-style-type: none"> • Heavy duty manual cassette tray
1011034072	<ul style="list-style-type: none"> • 103 line, 10:1 ratio, 40" to 72" focal range grid
E7239FX	X-Ray Tube - 140,000 heat unit, 1.0-2.0 mm focal spots with 90° horn angle
S-RL	Collimator - Certified manual collimator
10524-15	Cables, Pair - 15' long

View Systems @ www.txr.com

Prices & Specifications Subject to Change Without Notice
Nov, 2008



5481 Skyland Blvd.,E – Cottdale, AL 35453 – Phone 205-556-3803 – Fax 205-556-3824

GP-8 Options

Cat. No.	Description
<u>Generator Options:</u>	
PED	Pedestal for control console, replaces table mount
AEC-HF-1C	Automatic exposure control for High Frequency Generators . Includes electronics, (1) #ICX159 three field ion chamber and interconnect cable
SHF 320AP	32 kW generator for 3 Phase 220VAC Operation
SHF 330AP	32 kW generator for 3 Phase 380/480VAC Operation
SHF 420AP	40 kW generator for 3 Phase 220VAC Operation
SHF 430AP	40 kW generator for 3 Phase 380/480VAC Operation
<u>Structure Options:</u>	
S-MO	Motorized SID & Vertical Movement
<u>Receptor Options:</u>	
1011784072	10:1, 178 line grid, replaces 10:1, 103 line
<u>Table Option:</u>	
SEMER-001	Mobile Patient Table, radio translucent top, 78.75" long, 25.5" wide top, 27.5" height, locking casters on front wheel, large wheels enables easy maneuverability of table for accurate positioning
SEMER-002	Same as above but with carbon fiber top
<u>Tube Options:</u>	
E7242X	200,000 H.U. 0.6-1.5mm tube, 270° replaces E7239X
E7252X	300,000 H.U. 0.6-1.2mm tube, 270° replaces E7239X
<u>Warranty:</u>	
HF-WARR-3	Extend HF generator & tube warranty from 1 year to 5 years

View Systems @ www.txr.com

Prices & Specifications Subject to Change Without Notice
Nov, 2008



5481 Skyland Blvd.,E – Cottdale, AL 35453 – Phone 205-556-3803 – Fax 205-556-3824

System GP-8 **URS – UNIVERSAL RADIOGRAPHIC SYSTEM**

Complete System with Generator Noted

<u>System #</u>	<u>GP-8 URS System</u>
GP8-SHF310AP	32 kW HF, 400 mA, APR, table mount & hand switch
GP8-SHF310APPSU	32 kW Battery HF, 400 mA/APR, table mount & hand switch
GP8-SHF410AP	40 kW HF, 500 mA, APR, table mount & hand switch
<i>SHF310AP/410AP Priced for Operation on 1 Phase, 220/240VAC – See Options for 3 Phase</i>	

<u>Catalog No.</u>	<u>Description</u>
S-URS	General Purpose Structure with Rotational/Variable SID Cross Arm <ul style="list-style-type: none"> • Floor to wall mounted tube stand • Rotating Cross arm supports tube at one end and bucky at other end • Variable SID from 40” to 72” • Electromagnetic brakes for tube and arm rotation • Electromagnetic brake push button release for grid cabinet rotation • Counterbalanced vertical travel & cross arm rotation • 90° bucky rotation
BKY PFION NS-1001 1011034072	<ul style="list-style-type: none"> • 17”x 17” super speed bucky • Front panel • Heavy duty manual cassette tray • 103 line, 10:1 ratio, 40” to 72” focal range grid
E7239X	X-Ray Tube - 140,000 heat unit, 1.0-2.0 mm focal spots with 270° horn angle
S-RL	Collimator – Certified manual collimator
HT6	Cables, Pair - 20’ long

System Caries 1 Year Warranty – See Options to Extend Generator & Tube Warranty



View Systems @ www.txr.com

Prices & Specifications Subject to Change Without Notice
Nov, 2008



5481 Skyland Blvd.,E – Cottdale, AL 35453 – Phone 205-556-3803 – Fax 205-556-3824

GP-9 Options

<u>Cat. No.</u>	<u>Description</u>
<u>Generator Options:</u>	
PED	Pedestal for control console, replaces table mount
A3500-1C	Forced Extinction Unit for Standard Frequency Generator with 1 #ICX159 three field ion chamber (includes basic control selector module, 45' interconnect cable to x-ray control, ion chamber and 45' interconnect cable from chamber to AEC control)
AEC-HF-1C	Automatic exposure control for High Frequency Generators . Includes electronics, (1) #ICX159 three field ion chamber and interconnect cable
SHF 320AP	32 kW generator for 3 Phase 220VAC Operation
SHF 330AP	32 kW generator for 3 Phase 380/480VAC Operation
SHF 420AP	40 kW generator for 3 Phase 220VAC Operation
SHF 430AP	40 kW generator for 3 Phase 380/480VAC Operation
SF-50	50 HZ operation for TX425 and TX525 generators
<u>Receptor Options</u>	
BKY	17"x17" Super speed bucky, replaces grid cabinet
1011784072	10:1, 178 line grid, replaces 10:1, 103 line
<u>Tube Options:</u>	
E7239GX	140,000 H.U. 1.0-2.0mm tube, 180° replaces E7239FX
E7242FX	200,000 H.U. 0.6-1.5mm tube, 90° replaces E7239FX
E7242X	200,000 H.U. 0.6-1.5mm tube, 270° replaces E7239FX
E7252X	300,000 H.U. 0.6-1.2mm tube, 270° replaces E7239FX
<u>Warranty:</u>	
HF-WARR-3	Extend HF generator warranty from 2 years to 5 years

View Systems @ www.txr.com

Prices & Specifications Subject to Change Without Notice
Nov, 2008

Page 17



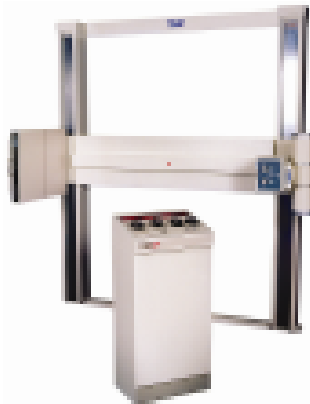
5481 Skyland Blvd.,E – Cottdale, AL 35453 – Phone 205-556-3803 – Fax 205-556-3824

System GP-9 Dedicated Chest System, Fixed 72” SID

Complete System with Generator Noted

<u>System #</u>	<u>GP-9 Dedicated 72” Fixed SID Chest System</u>
GP9-TXR425	Single phase, 400 mA, 125 kVp generator
GP9-TXR525	Single phase, 500 mA, 125 kVp generator
GP9-SHF310AP	32 kW HF, 400 mA, APR, table mount & hand switch
GP9-SHF310APPSU	32 kW Battery HF, 400 mA/APR, table mount & hand switch
GP9-SHF410AP	40 kW HF, 500 mA, APR, table mount & hand switch
<i>SHF310AP/410AP Priced for Operation on 1 Phase, 220/ 240VAC – See Options for 3 Phase</i>	

<u>Catalog No.</u>	<u>Description</u>
CS-72	Floor Wall Interlocking Tube Stands, Fixed at 72” SID <ul style="list-style-type: none"> • Floor to wall mount interlocking columns • Cross arm supports tube at one end and grid cabinet at other end • Platform tube mount with tube fixed at cabinet • Magnetic locks control vertical movement
GC-HD PF ION NS-1001 1011034072	<ul style="list-style-type: none"> • 17”x17” grid cabinet • Front panel • Heavy duty manual cassette tray • 103 line, 10:1 ratio, 40” to 72” focal range grid
E7239FX	X-Ray Tube - 140,000 heat unit, 1.0-2.0 mm focal spots with 90° horn angle
S-RL	Collimator - Certified manual collimator
10525	Cables, Pair - 20’ long



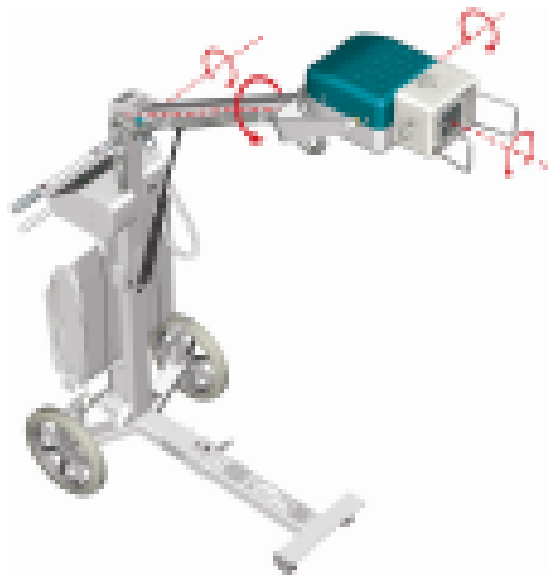
View Systems @ www.txr.com

Prices & Specifications Subject to Change Without Notice
Nov, 2008



5481 Skyland Blvd.,E – Cottdale, AL 35453 – Phone 205-556-3803 – Fax 205-556-3824

GP-10 Portable Systems



Light Weight - Maneuverable

Powerful 2 kW (Max. 50 mA) or 4 kW (Max. 100 mA)



View Systems @ www.txr.com

Prices & Specifications Subject to Change Without Notice
Nov, 2008



5481 Skyland Blvd.,E – Cottdale, AL 35453 – Phone 205-556-3803 – Fax 205-556-3824

System GP-10

Portable Systems for Human Application

<u>System #</u>	<u>Portable Systems with Stand</u>
SPS-HF-2.0	50 mA HF Portable System
SPS-HF-4.0	100 mA. HF Portable System

<u>Catalog No.</u>	<u>Description</u>
HF-2.0	Constant Potential High Frequency Generator <ul style="list-style-type: none">● 2.0 kW Constant Potential● 40 to 110 kVp in 1 kVp steps● 12 mA Stations; 4, 5, 6, 8, 10, 12.5, 16, 20, 25, 32, 40, & 50● 0.002-10 Second exposure time range, 38 total in 25% steps● 0.1 to 100 mAs● 0.6 mm x 1.5 mm. Dual focal spot stationary anode tube, 40,000 HU● 110VAC, 15 Amp <i>or</i> 230VAC, 7 Amp power line requirement <p style="text-align: center;">OR</p>
HF-4.0	<ul style="list-style-type: none">● 4.0 kW Constant Potential● 40 to 115 kVp in 1 kVp steps● 15 mA Stations; 4, 5, 6, 8, 10, 12.5, 16, 20, 25, 32, 40, 50, 64, 80 & 100● 0.001-10 Second exposure time range, 38 total in 25% steps● 0.1 to 200 mAs● 0.6 mm x 1.5 mm. Dual focal spot stationary anode tube, 40,000 HU● 110VAC, 24 Amp <i>or</i> 230VAC, 12A power line requirement
PC	Power Cord – 20 feet long
EC	Exposure Cord – 10 feet long
STD	Stand <ul style="list-style-type: none">● Stand on base with wheels for easy maneuverability● Gas spring arm supports tube to accommodate easy positioning● Positive mechanical brakes● Cassette storage box accommodates up to 8 cassettes● 15” to 81.5” Vertical tube travel● 132 Lbs. total weight
S-CL	Collimator – Certified manual collimator

View Systems @ www.txr.com

Prices & Specifications Subject to Change Without Notice
Nov, 2008



5481 Skyland Blvd.,E – Cottdale, AL 35453 – Phone 205-556-3803 – Fax 205-556-3824

This Page Intentionally Left Blank

View Systems @ www.txr.com

Prices & Specifications Subject to Change Without Notice
Nov, 2008

Page 21



5481 Skyland Blvd.,E – Cottondale, AL 35453 – Phone 205-556-3803 – Fax 205-556-3824

Chiropractic Systems



*CH-1 Shown with TXR425 Generator and
Optional Tilt Mechanism – Pages 23-24*



CH-3 Fixed 40" or 72" SID – Pages 27-28



CH2 Cost Effective – Pages 25-26



5481 Skyland Blvd.,E – Cottdale, AL 35453 – Phone 205-556-3803 – FAX 205-556-3824

Configuration CH-1D
DigitalEase 17” x 17” 9 Mega Pixel Digital Upright System with
F/C Tube Stand, Magnetic Locks

Complete System with Generator Noted

System #	CH-1D Digital Upright System
CH1D-TXR525	Single phase, 500 mA, 125 kVp generator
CH1D-SHF310AP	32 kW HF, 400 mA, APR, table mount & hand switch
CH1D-SHF310APPU	32 kW Battery HF, 400 mA, APR, table mount & hand switch
CH1D-SHF410AP	40 kW HF, 500 mA, APR, table mount & hand switch

SHF310AP/410AP Priced for Operation on 1 Phase, 220/240VAC – See Options for 3 Phase

Catalog No.	Description
13-SM-84E	Floor Ceiling Tube Stand <ul style="list-style-type: none"> • Floor to ceiling or floor to wall mounted with magnetic locks • Fits in ceiling heights of 89.5” to 113.5” • Platform tube mount, angulation dial and operator handles • Magnetic locks control longitudinal and vertical movement • 6’ foot tracks
D-SWS	Wall Stand With Digital Detector <ul style="list-style-type: none"> • Floor to Wall Mount with magnetic locks
E7239GX	X-Ray Tube - 140,000 heat unit, 1.0-2.0 mm focal spots with 180° horn angle
S-RL	Collimator - Certified manual collimator with swivel mount
10524-15	Cables, Pair - 15’ long
CD-91717	Digital Detector <ul style="list-style-type: none"> • 9 Mega Pixel • 17” x 17” Field Size • 3.4 lp/mm, • CCD technology
PC-T3400	Digital PC <ul style="list-style-type: none"> • Dell Precision T3400 Convertible Mini-Tower, P4 Processor • 631 3.00GHz, 2MB L2 Cache 800MHz • 1GB, 667MHz, DDR2 ECC SDRAM Memory, 2X512 • Entry level, USB • Keyboard • Dell Precision workstation • ATI Fire GL V3400, 128MB, dual VGA or dual DVI or DVI+VGA graphic card • 160GB Serial ATA

View Systems @ www.txr.com

Prices & Specifications Subject to Change Without Notice
Nov, 2008



5481 Skyland Blvd.,E – Cottdale, AL 35453 – Phone 205-556-3803 – FAX 205-556-3824

- 10K RPM Hard drive with 16MB data burst cache C5- All SATA hard drives
- RAID1 for 2 hard drives
- WINDOWS XP PRO SP2, with Media Dell Precision Dell USB
- 2-Button optical mouse with scroll
- 16X DVD+/-RW w/ Cyberlink Power DVD Roxio digital creator
- 160GB Serial ATA, 10K RPM add'l hard drive with 16MB data burst cache
- 3 Year standard warranty
- Dell hardware warranty plus onsite service, initial year
- Type 3 Contract - next business day parts and labor on-site response, 1st year
- Dell hardware warranty plus onsite service, extended year
- Type 3 contract-next business day parts, labor onsite, 2 year extended
- GOLD TECH phone support, FIXEDWS, INIT (SMB)

Work Station Monitor: 21", 2 mega pixel

Additional Work Station Viewing Software – Unlimited licenses for viewing stations

OPTIONS:

Generator Options:

PED	Pedestal for control console, replaces table mount
AEC-HF-1C	Automatic exposure control for high frequency generators. Includes electronics, 1 three field ion chamber and interconnect cable. <i>Specify left hand load or right hand load</i>
SHF-320	32 kW generator for 3 phase 220VAC operation
SHF-330	32 kW generator for 3 phase 380 or 480VAC operation
SHF420	40 kW generator for 3 phase 220VAC operation
SHF 430	40 kW generator for 3 phase 380 or 480VAC operation
SF-50	50 HZ operation for TX525 generator

Tube Stand Options:

13-SM-84E-8	8' Rails, replaces 6'
-------------	-----------------------

Tube Options:

E7239FX	140,000 H.U. 1.0-2.0mm tube, 90° replaces E7239GX
E7242FX	200,000 H.U. 0.6-1.5mm tube, 90° replaces E7239FX
E7242GX	200,000 H.U. 0.6-1.5mm tube, 180° replaces E7239FX
E7252X	300,000 H.U. 0.6-1.2mm tube, 180° replaces E7239FX

Collimator:

70-63010-6	Certified manual collimator with laser light
------------	--

Digital Detector

CD-161717	16 Mega pixel detector
-----------	------------------------

Work Station Monitor

PC-WSC	Cart on wheels for monitor and PC
PC-WSW	Wall mount for monitor and PC

WARRANTY:

3 year with exception of collimator and cables which carry a 1 year warranty. Tube; first year full, remaining 2 years pro-rata. See PC warranty above.

View Systems @ www.txr.com



5481 Skyland Blvd.,E – Cottdale, AL 35453 – Phone 205-556-3803 – FAX 205-556-3824

Configuration CH-2D
DigitalEase II 17" x 17" Digital Upright System with
Floor Mounted Tube Stand, Magnetic Locks

Complete System with Generator Noted

<u>System #</u>	<u>CH-1D Digital Upright System</u>	<u>List Price</u>
CH1D2-TXR525	Single phase, 500 mA, 125 kVp generator	\$87,300
CH1D2-SHF310AP	32 kW HF, 400 mA, APR, table mount & hand switch	\$95,500
CH1D2-SHF310APPU	32 kW Battery HF, 400 m./APR, table mount & hand switch	\$100,600
CH1D2-SHF410AP	40 kW HF, 500 mA, APR, table mount & hand switch	\$98,000
CH1D2-SHF-510AP	50 kW HF, 640 mA, APR, table mount & hand switch	\$99,500

SHF310AP/410AP/510AP Priced for Operation on 1 Phase, 220/240VAC – See Options for 3 Phase

<u>Catalog No.</u>	<u>Description</u>
S-DFM	Floor Mount Tube Stand <ul style="list-style-type: none"> • Platform tube mount, 90" tube rotation • Magnetic locks for longitudinal, vertical & tube rotation • 86.6" floor track provides 78.7" longitudinal tube travel • Magnetic locks control longitudinal and vertical movement
D-SWS	Wall Stand With Digital Detector <ul style="list-style-type: none"> • Floor to Wall Mount with magnetic locks
E7239GX	X-Ray Tube - 140,000 heat unit, 1.0-2.0 mm focal spots with 180° horn angle
S-RL	Collimator - Certified manual collimator with swivel mount
10524-15	Cables, Pair – 15' long
CD-91717	Digital Detector <ul style="list-style-type: none"> • 9 Mega Pixel • 17" x 17" Field Size • 3.4 lp/mm, • CCD technology
PC-T3400	Digital PC <ul style="list-style-type: none"> • Dell Precision T3400 Convertible Mini-Tower, P4 processor • 631 3.00GHz, 2MB L2 Cache 800MHz • 1GB, 667MHz, DDR2 ECC SDRAM Memory, 2X512 • Entry level, USB • Keyboard • Dell Precision workstation • ATI Fire GL V3400, 128MB, dual VGA or dual DVI or DVI+VGA graphic card • 160GB Serial ATA

View Systems @ www.txr.com

Prices & Specifications Subject to Change Without Notice
Nov, 2008



5481 Skyland Blvd.,E – Cottdale, AL 35453 – Phone 205-556-3803 – FAX 205-556-3824

- 10K RPM Hard drive with 16MB data burst cache C5- all SATA hard drives
- RAID1 for 2 hard drives
- WINDOWS XP PRO SP2, with Media Dell Precision Dell USB
- 2-Button optical mouse with scroll
- 16X DVD+/-RW w/Cyberlink Power DVD Roxio digital creator
- 160GB Serial ATA, 10K RPM add'l hard drive with 16MB data burst cache
- 3 Year standard warranty
- Dell hardware warranty plus onsite service, initial year
- Type 3 Contract - next business day parts and labor on-site response, 1st year
- Dell hardware warranty plus onsite service, extended yYear
- Type 3 contract - next business day parts and labor on-site response, 2 year extended
- GOLD TECH phone support, FIXEDWS,INIT (SMB)

Work Station Monitor: 21", 2 mega pixel

Additional Work Station Viewing Software – Unlimited licenses for viewing stations

OPTIONS:

Generator Options:

PED	Pedestal for control console, replaces table mount
AEC-HF-1C	Automatic exposure control for high frequency generators. Includes electronics, 1 three field ion chamber and interconnect cable. <i>Specify left hand load or right hand load</i>
SHF-320	32 kW generator for 3 Phase 220VAC operation
SHF-330	32 kW generator for 3 Phase 380 or 480VAC operation
SHF420	40 kW generator for 3 Phase 220VAC operation
SHF 430	40 kW generator for 3 Phase 380 or 480VAC operation
SF-50	50 HZ operation for TX525 generator

Tube Stand Options:

13-SM-84E-8	8' Rails, replaces 6'
-------------	-----------------------

Tube Options:

E7239FX	140,000 H.U. 1.0-2.0mm tube, 90° replaces E7239GX
E7242FX	200,000 H.U. 0.6-1.5mm tube, 90° replaces E7239FX
E7242GX	200,000 H.U. 0.6-1.5mm tube, 180° replaces E7239FX
E7252X	300,000 H.U. 0.6-1.2mm tube, 180° replaces E7239FX

Collimator:

70-63010-6	Certified manual collimator with laser light
------------	--

Digital Detector

CD-161717	16 Mega pixel detector
-----------	------------------------

Work Station Monitor

PC-WSC	Cart on wheels for monitor and PC
PC-WSW	Wall mount for monitor and PC

WARRANTY:

3 year with exception of collimator and cables which carry a 1 year warranty. Tube; first year full, remaining 2 years pro-rata. See PC warranty above.

View Systems @ www.txr.com



5481 Skyland Blvd.,E – Cottdale, AL 35453 – Phone 205-556-3803 – FAX 205-556-3824

Configuration CH-DUPG
DigitalEase 17” x 17” 9 Mega Pixel Digital Upgrade

System #	CH-1D Digital Upright System
CH-DUPG	Digital Upgrade Package

Catalog No.	Description
D-SWS	Wall Stand With Digital Detector
	<ul style="list-style-type: none"> • Floor to Wall Mount with magnetic locks
CD-91717	Digital Detector
	<ul style="list-style-type: none"> • 9 Mega Pixel • 17 x 17 Field Size • 3.4 lp/mm, • CCD technology
PC-T3400	Digital PC
	<ul style="list-style-type: none"> • Dell Precision T3400 Convertible Mini-Tower, P4 Processor • 631 3.00GHz, 2MB L2 Cache 800MHz • 1GB, 667MHz, DDR2 ECC SDRAM Memory, 2X512 • Entry level, USB • Keyboard • Dell Precision workstation • ATI Fire GL V3400, 128MB, dual VGA or dual DVI or DVI+VGA graphic card • 160GB Serial ATA • 10K RPM Hard drive with 16MB data burst cache C5- All SATA hard drives • RAID1 for 2 hard drives • WINDOWS XP PRO SP2, with Media Dell Precision Dell USB • 2-Button optical mouse with scroll • 16X DVD+/-RW w/ Cyberlink Power DVD Roxio digital creator • 160GB Serial ATA, 10K RPM add'l hard drive with 16MB data burst cache • 3 Year standard warranty • Dell hardware warranty plus onsite service, initial year • Type 3 Contract - next business day parts and labor on-site response, 1st year • Dell hardware warranty plus onsite service, extended year • Type 3 contract-next business day parts, labor onsite, 2 year extended • GOLD TECH phone support, FIXEDWS, INIT (SMB)

Work Station Monitor: 21”, 2 mega pixel

Additional Work Station Viewing Software – Unlimited licenses for viewing stations

OPTIONS:

Digital Detector

CD-161717 16 Mega pixel detector

Work Station Monitor

PC-WSC Cart on wheels for monitor and PC

PC-WSW Wall mount for monitor and PC

WARRANTY: 3 year

View Systems @ www.txr.com

Prices & Specifications Subject to Change Without Notice

Nov, 2008



5481 Skyland Blvd.,E – Cottdale, AL 35453 – Phone 205-556-3803 – Fax 205-556-3824

CH-1 Options

<u>Cat. No.</u>	<u>Description</u>
<u>Generator Options:</u>	
PED	Pedestal for control console, replaces table mount
A3500-1C	Forced Extinction Unit for Standard Frequency Generator with 1 three field ion chamber (includes basic control selector module, 45' interconnect cable to x-ray control, ion chamber and 45' interconnect cable from chamber to AEC control) <i>Specify ICX162 ion chamber for left hand load or ICX 192 for right hand load</i>
AEC-HF-1C	Automatic exposure control for High Frequency Generators . Includes electronics, 1 three field ion chamber and interconnect cable <i>Specify ICX162 ion chamber for left hand load or ICX 192 for right hand load</i>
SHF 320AP	32 kW generator for 3 Phase 220VAC Operation
SHF 330AP	32 kW generator for 3 Phase 380/480VAC Operation
SHF 420AP	40 kW generator for 3 Phase 220VAC Operation
SHF 430AP	40 kW generator for 3 Phase 380/480VAC Operation
SF-50	50 HZ operation for TX425 and TX525 generators
<u>Tube Stand Options:</u>	
13-SM-84E-8	8' Rails, replaces 6'
<u>Wall Stand Options</u>	
BKY	17" x 17" Super speed bucky, replaces grid cabinet
13-BF-7 Euro	Euro style side mount grid cabinet, space saver
BS-FM	Adaption for wall stand to mount free standing
1011034072	10:1, 103 line grid, replaces 8:1, 103 line
1011784072	10:1, 178 line grid, replaces 8:1, 103 line
Tilt Ease III	Tilt mechanism, heavy duty, for grid cabinet or bucky Not available on Euro wall stand
HC	Head clamp, articulating and adjustable
<u>Tube Options:</u>	
E7239FX	140,000 H.U. 1.0-2.0mm tube, 90° replaces E7239GX
E7242FX	200,000 H.U. 0.6-1.5mm tube, 90° replaces E7239FX
E7242GX	200,000 H.U. 0.6-1.5mm tube, 180° replaces E7239FX
E7252X	300,000 H.U. 0.6-1.2mm tube, 180° replaces E7239FX
<u>Warranty:</u>	
HF-WARR-3	Extend HF generator warranty from 2 years to 5 years

View Systems @ www.txr.com



5481 Skyland Blvd.,E – Cottdale, AL 35453 – Phone 205-556-3803 – Fax 205-556-3824

System CH-1
14 x 17” Upright System with F/C Tube Stand,
Magnetic Locks

Complete System with Generator Noted

System #	CH-1 Upright System
CH1-TXR425	Single phase, 400 mA, 125 kVp generator
CH1-TXR525	Single phase, 500 mA, 125 kVp generator
CH1-SHF310AP	32 kW HF, 400 mA, APR, table mount & hand switch
CH1-SHF310APPSU	32 kW Battery HF, 400 mA/APR, table mount & hand switch
CH1-SHF410AP	40 kW HF, 500 mA, APR, table mount & hand switch
<i>SHF310AP/410AP Priced for Operation on 1 Phase, 220/240VAC – See Options for 3 Phase</i>	

Catalog No.	Description
13-SM-84E	Floor Ceiling Tube Stand <ul style="list-style-type: none"> • Floor to ceiling or floor to wall mounted • Fits in ceiling heights of 89.5” to 113.5” • Platform tube mount, angulation dial and operator handles • Magnetic locks control longitudinal and vertical movement • 6’ foot tracks
13-BF-7 17E	Wall Stand With 17 x 17” Grid Cabinet <ul style="list-style-type: none"> • Floor to Wall Mount with magnetic locks
GC-HD	• 17”x17” grid cabinet
PF ION	• Front panel
NS-1001	• Heavy duty manual cassette tray
811034072	• 103 line, 8:1 ratio, 40” to 72” focal range grid
E7239GX	X-Ray Tube – 140,000 heat unit, 1.0-2.0 mm focal spots with 180° horn angle
S-RL	Collimator – Certified manual collimator
10524-15	Cables, Pair – 15’ long

View Systems @ www.txr.com

Prices & Specifications Subject to Change Without Notice
Nov, 2008



5481 Skyland Blvd.,E – Cottdale, AL 35453 – Phone 205-556-3803 – Fax 205-556-3824

CH-2 Options

<u>Cat. No.</u>	<u>Description</u>
-----------------	--------------------

Generator Options:

PED	Pedestal for control console, replaces table mount
A3500-1C	Forced Extinction Unit for Standard Frequency Generator with 1 three field ion chamber (includes basic control selector module, 45' interconnect cable to x-ray control, ion chamber and 45' interconnect cable from chamber to AEC control) <i>Specify ICX162 ion chamber for left hand load or ICX 192 for right hand load</i>
AEC-HF-1C	Automatic exposure control for High Frequency Generators . Includes electronics, 1 three field ion chamber and interconnect cable <i>Specify ICX162 ion chamber for left hand load or ICX 192 for right hand load</i>
SHF 320AP	32 kW generator for 3 Phase 220VAC Operation
SHF 330AP	32 kW generator for 3 Phase 380/480VAC Operation
SHF 420AP	40 kW generator for 3 Phase 220VAC Operation
SHF 430AP	40 kW generator for 3 Phase 380/480VAC Operation
SF-50	50 HZ operation for TX425 and TX525 generators

Tube Stand Options:

13-SM-84E-8	8' Rails, replaces 6'
-------------	-----------------------

Wall Stand Options

BKY	17" x 17" Super speed bucky, replaces grid cabinet
13-BF-7 Euro	Euro style side mount grid cabinet, space saver
BS-FM	Adaption for wall stand to mount free standing
1011034072	10:1, 103 line grid, replaces 8:1, 103 line
1011784072	10:1, 178 line grid, replaces 8:1, 103 line
Tilt Ease III	Tilt mechanism, heavy duty, for grid cabinet or bucky Not available on Euro wall stand
HC	Head clamp, articulating and adjustable

Tube Options:

E7239FX	140,000 H.U. 1.0-2.0mm tube, 90° replaces E7239GX
E7242GX	200,000 H.U. 0.6-1.5mm tube, 180° replaces E7239FX
E7252X	300,000 H.U. 0.6-1.2mm tube, 180° replaces E7239FX

Warranty: **Extended Warranty Not Available- See CH-1 for Extended Warranty & Magnetic Locks**

View Systems @ www.txr.com



5481 Skyland Blvd.,E – Cottdale, AL 35453 – Phone 205-556-3803 – Fax 205-556-3824

System CH-2
Cost Effective 14 x 17” Upright System with F/C Tube Stand, Manual Locks

Complete System with Generator Noted

<u>System #</u>	<u>CH-2 Upright System – Cost Effective</u>
CH2-TXR425	Single phase, 400 mA, 125 kVp generator
CH2-TXR525	Single phase, 500 mA, 125 kVp generator
CH2-SHF310AP	32 kW HF, 400 mA, APR, table mount & hand switch
CH2-SHF310APPSU	32 kW Battery HF, 400 mA/APR, table mount & hand switch
CH2-SHF410AP	40 kW HF, 500 mA, APR, table mount & hand switch

SHF310AP/410AP Priced for Operation on 1 Phase, 220/240VAC – See Options for 3 Phase

System carries a 1 year warranty, for extended warranty see CH-1 configuration.

<u>Catalog No.</u>	<u>Description</u>
13-SM-84M	Floor Ceiling Tube Stand – Manual Locks <ul style="list-style-type: none"> • Floor to ceiling or floor to wall mounted with manual locks • Fits in ceiling heights of 89.5” to 113.5” • Platform tube mount, angulation dial and operator handles • Manual locks control longitudinal and vertical movement • 6’ foot tracks
13-BF-7 17M	Wall Stand With 17 x 17” Grid Cabinet – Manual Locks <ul style="list-style-type: none"> • Floor to Wall Mount with manual locks
GC-HD	• 17”x17” Heavy duty grid cabinet
PF ION	• Front panel
NS-1001	• Heavy duty manual cassette tray
811034072	• 103 line, 8:1 ratio, 40” to 72” focal range grid
E7239GX	X-Ray Tube - 140,000 heat unit, 1.0-2.0 mm focal spots with 180° horn angle
S-RL	Collimator – Certified manual collimator
10524-15	Cables, Pair – 15’ long, federal terminations

View Systems @ www.txr.com

Prices & Specifications Subject to Change Without Notice
Nov, 2008



5481 Skyland Blvd.,E – Cottdale, AL 35453 – Phone 205-556-3803 – Fax 205-556-3824

CH-3 Options

<u>Cat. No.</u>	<u>Description</u>
<u>Generator Options:</u>	
PED	Pedestal for control console, replaces table mount
A3500-1C	Forced Extinction Unit for Standard Frequency Generator with 1 three field ion chamber (includes basic control selector module, 45' interconnect cable to x-ray control, ion chamber and 45' interconnect cable from chamber to AEC control) <i>Specify ICX162 ion chamber for left hand load or ICX 192 for right hand load</i>
AEC-HF-1C	Automatic exposure control for High Frequency Generators . Includes electronics, 1 three field ion chamber and interconnect cable <i>Specify ICX162 ion chamber for left hand load or ICX 192 for right hand load</i>
SHF 320AP	32 kW generator for 3 Phase 220VAC Operation
SHF 330AP	32 kW generator for 3 Phase 380/480VAC Operation
SHF 420AP	40 kW generator for 3 Phase 220VAC Operation
SHF 430AP	40 kW generator for 3 Phase 380/480VAC Operation
SF-50	50 HZ operation for TX425 and TX525 generators
<u>Receptor Options</u>	
BKY	17" x 17" Super speed bucky, replaces grid cabinet
1011033444	10:1, 103 line grid, replaces 8:1, 103 line – Focused at 40"
1011034072	10:1, 103 line grid, replaces 8:1, 103 line – Focused at 72"
1011783444	10:1, 178 line grid, replaces 8:1, 103 line – Focused at 40"
1011784072	10:1, 178 line grid, replaces 8:1, 103 line – Focused at 72"
<u>Tube Options:</u>	
E7239FX	140,000 H.U. 1.0-2.0mm tube, 90° replaces E7239GX
E7242FX	200,000 H.U. 0.6-1.5mm tube, 90° replaces E7239FX
E7242GX	200,000 H.U. 0.6-1.5mm tube, 180° replaces E7239FX
E7252X	300,000 H.U. 0.6-1.2mm tube, 180° replaces E7239FX
<u>Warranty:</u>	
HF-WARR-3	Extend HF generator warranty from 2 years to 5 years

View Systems @ www.txr.com



5481 Skyland Blvd.,E – Cottdale, AL 35453 – Phone 205-556-3803 – Fax 205-556-3824

System CH-3
Upright Fixed 40” or 72” SID

Complete System with Generator Noted

System #	CH-3 Upright Fixed 40” or 72” SID
CH3-TXR425	Single phase, 400 mA, 125 kVp generator
CH3-TXR525	Single phase, 500 mA, 125 kVp generator
CH3-SHF310AP	32 kW HF, 400 mA, APR, table mount & hand switch
CH3-SHF310APPSU	32 kW Battery HF, 400 mA/APR, table mount & hand switch
CH3-SHF410AP	40 kW HF, 500 mA, APR, table mount & hand switch
<i>SHF310AP/410AP Priced for Operation on 1 Phase, 220/240VAC – See Options for 3 Phase</i>	

Catalog No.	Description
CS-40 or 72	Floor Wall Interlocking Tube Stands, Fixed at 40” or 72” SID <ul style="list-style-type: none"> • Floor to wall mount interlocking columns • Cross arm supports tube at one end and grid cabinet at other end • Platform tube mount with tube fixed at cabinet • Magnetic locks control vertical movement
GC-HD PF ION NS-1001 811033444 811034072	<ul style="list-style-type: none"> • 17”x17” grid cabinet • Front panel • Heavy duty manual cassette tray • 103 line, 8:1 ratio, 40” focal range grid <i>or</i> • 103 line, 8:1 ratio, 72” focal range grid
E7239GX	X-Ray Tube – 140,000 heat unit, 1.0-2.0 mm focal spots with 180° horn angle
S-RL	Collimator – Certified manual collimator
10524-15	Cables, Pair – 15’ long

Specify 40” or 72” SID at time of order.

View Systems @ www.txr.com

Prices & Specifications Subject to Change Without Notice
Nov, 2008



5481 Skyland Blvd.,E – Cottdale, AL 35453 – Phone 205-556-3803 – FAX 205-556-3824

CH-4 Options

Cat. No.	Description
<u>Generator Options:</u>	
PED	Pedestal for control console, replaces table mount
A3500-1C	Forced Extinction Unit for Standard Frequency Generator with 1 #ICX181 four field ion chamber (includes basic control selector module, 45' interconnect cable to x-ray control, ion chamber and 45' interconnect cable from chamber to AEC control)
AEC-HF-1C	Automatic exposure control for high frequency generators. Includes electronics, 1 #ICX181 four field ion chamber and interconnect cable
SHF-320AP	32 kW generator for 3 Phase 220VAC Operation
SHF-330AP	32 kW generator for 3 Phase 380/480VAC Operation
SHF-420AP	40 kW generator for 3 Phase 220VAC Operation
SHF-430AP	40 kW generator for 3 Phase 380/480VAC Operation
SF-50	50 HZ operation for TX425 and TX525 generators
<u>Tubestand Options:</u>	
13-SM-84E-8	8' Rails, replaces 6'
<u>Wall Stand Options</u>	
36ANS	14 x 36" Par speed bucky
1011031517	10:1, 103 line grid, replaces 8:1
BS-FM	Adaption for wall stand to mount free standing
<u>Tube Options:</u>	
E7239FX	140,000 H.U. 1.0-2.0mm tube, 90° replaces E7239GX
E7242FX	200,000 H.U. 0.6-1.5mm tube, 90° replaces E7239FX
E7242GX	200,000 H.U. 0.6-1.5mm tube, 180° replaces E7239FX
E7252X	300,000 H.U. 0.6-1.2mm tube, 180° replaces E7239FX
<u>Warranty:</u>	
HF-WARR-3	Extend HF generator warranty from 2 years to 5 years



5481 Skyland Blvd.,E – Cottdale, AL 35453 – Phone 205-556-3803 – Fax 205-556-3824

System CH-4
14 x 36” Upright System with F/C Tube Stand,
Magnetic Locks

Complete System with Generator Noted

System #	CH-4 14 x 36” Upright System
CH4-TXR425	Single phase, 400 mA, 125 kVp generator
CH4-TXR525	Single phase, 500 mA, 125 kVp generator
CH4-SHF310AP	32 kW HF, 400 mA, APR, table mount & hand switch
CH4-SHF310APPSU	32 kW Battery HF, 400 mA/APR, table mount & hand switch
CH4-SHF410AP	40 kW HF, 500 mA, APR, table mount & hand switch

SHF310AP/410AP Priced for Operation on 1 Phase, 220/240VAC – See Options for 3 Phase

Catalog No.	Description
13-SM-84E	Floor Ceiling Tube Stand <ul style="list-style-type: none"> • Floor to ceiling or floor to wall mounted • Fits in ceiling heights of 89.5” to 113.5” • Platform tube mount, angulation dial and operator handles • Magnetic locks control longitudinal and vertical movement • 6’ foot tracks
13-BF-7 36E	Wall Stand With 14 x 36” Grid Cabinet <ul style="list-style-type: none"> • Floor to Wall Mount with magnetic locks
GC-36-HD	• 14”x36” grid cabinet
CJ-AMC	• Front panel
NS-1036	• Heavy duty manual cassette tray
811031537	• 103 line, 8:1 ratio, 40” to 72” focal range grid
E7239GX	X-Ray Tube - 140,000 heat unit, 1.0-2.0 mm focal spots with 180° horn angle
S-RL	Collimator - Certified manual collimator
10524-15	Cables, Pair - 15’ long

View Systems @ www.txr.com

Prices & Specifications Subject to Change Without Notice
Nov, 2008



5481 Skyland Blvd.,E – Cottdale, AL 35453 – Phone 205-556-3803 – Fax 205-556-3824

This Page Intentionally Left Blank



5481 Skyland Blvd.,E – Cottdale, AL 35453 – Phone 205-556-3803 – Fax 205-556-3824

Veterinary Systems



Vet HF Control Mounted at Tube



Vet Fixed SID



Vet Variable SID

View Systems @ www.txr.com

Prices & Specifications Subject to Change Without Notice
Nov, 2008



5481 Skyland Blvd.,E – Cottdale, AL 35453 – Phone 205-556-3803 – FAX 205-556-3824

Configuration V-1D
Vet DigitalEase 14 x 17" 6 Mega Pixel Digital Veterinary System
with Four Way Float Top Table and Attached Tube Stand

Complete System with Generator Noted

System #	V1D Vet DigitalEase System
V1D-TXR525	Single phase, 500 mA, 125 kVp generator
V1D-SHF310AP	32 kW HF, 400 mA, APR
V1D-SHF410AP	40 kW HF, 500 mA, APR
<i>SHF310/410AP Priced for Operation on 1 Phase, 220/240VAC – See Options for 3 Phase</i>	

Catalog No.	Description
DV-4WFT-ITT	Four Way Float Top Table with Fixed SID Attached Tube Stand <ul style="list-style-type: none"> • 60" x 27.5" Four way float top table • Enclosed welded base • Integrated tube stand fixed at 40" SID, centered to detector • Magnetic locks control table top movement • Digital detector mounted in table base off floor • Removable grid, 8:1 ratio, 70 line
E7239FX	X-Ray Tube - 140,000 heat unit, 1.0-2.0 mm focal spots
S-RL	Collimator - Manual collimator with swivel mount
10524-15	Cables, Pair - 15' long
CD-61417	Digital Detector <ul style="list-style-type: none"> • 6 Mega pixel • 14" x 17" Field size • 2.8 lp/mm, • CCD technology
PC-T3400	Digital PC <ul style="list-style-type: none"> • Dell Precision T3400 Convertible Mini-Tower, P4 processor • 631 3.00GHz, 2MB L2 Cache 800MHz • 1GB, 667MHz, DDR2 ECC SDRAM memory, 2X512 • Entry level, USB, • Keyboard • Dell Precision workstation • ATI Fire GL V3400, 128MB, dual VGA or dual DVI or DVI+VGA graphic card • 160GB Serial ATA • 10K RPM hard drive with 16MB data burst cache C5- all SATA hard drives • RAID1 for 2 hard drives

View Systems @ www.txr.com



5481 Skyland Blvd.,E – Cottdale, AL 35453 – Phone 205-556-3803 – FAX 205-556-3824

- WINDOWS XP PRO SP2, with Media Dell Precision Dell USB
- 2-Button optical mouse with scroll
- 16X DVD+/-RW w/ Cyberlink Power DVD Roxio digital creator
- 160GB Serial ATA, 10K RPM add'l hard drive with 16MB data burst cache
- 3 Year standard warranty
- Dell hardware warranty plus onsite service, initial year
- Type 3 contract - next business day parts and labor onsite response, 1st year
- Dell hardware warranty plus onsite service, extended year
- Type 3 contract - next business day parts and labor onsite response, 2 year extended
- GOLD TECH phone support, FIXEDWS,INIT (SMB)

Work Station Monitor: 21", 2 mega pixel

Additional Work Station Viewing Software – Unlimited licenses for viewing stations

OPTIONS:

Generator Options:

SHF-320	32 kW generator for 3 phase 220VAC operation	\$700
SHF-330	32 kW generator for 3 phase 380 or 480VAC operation	\$1,200
SHF420	40 kW generator for 3 phase 220VAC operation	\$700
SHF 430	40 kW generator for 3 phase 380 or 480VAC operation	\$1,200
ITS-HFV	Integrated touch screen control console and image display	\$5,000

Tube Options:

E7242FX	200,000 H.U. 0.6-1.5mm tube, 90° replaces E7239FX	\$1,200
E7252X	300,000 H.U. 0.6-1.2mm tube, 180° replaces E7239FX	\$3,000

Digital Detector

CD-61216	6 Mega pixel, 12" x 16" detector	N/C
----------	----------------------------------	-----

Work Station Monitor

PC-WSC	Cart on wheels for monitor and PC	\$1,200
PC-WSW	Wall mount for monitor and PC	\$350

WARRANTY:

5 year with exception of collimator and cables which carry a 1 year warranty. Tube first year full, remaining 4 years pro-rata. See PC warranty above.



5481 Skyland Blvd.,E – Cottdale, AL 35453 – Phone 205-556-3803 – FAX 205-556-3824

Configuration V-2D
***Vet DigitalEase II Deluxe 17" x 17" 9 Mega Pixel Digital
 Veterinary System with Four Way Float Top Table and Attached
 Tube Stand***

Complete System with Generator Noted

<u>System #</u>	<u>V2D Vet DigitalEase System</u>
V2D-SHF310AP	32 kW HF, 400 mA, APR
V2D-SHF410AP	40 kW HF, 500 mA, APR
<i>SHF310410AP Priced for Operation on 1 Phase, 220/240VAC – See Options for 3 Phase</i>	

<u>Catalog No.</u>	<u>Description</u>
SDV-4WFT-ITT	Four Way Float Top Table with Fixed SID Attached Tube Stand <ul style="list-style-type: none"> • 59" x 28.3" Four way float top table • Enclosed welded base with contemporary molded covers • Integrated tube stand fixed at 40" SID, centered to detector • Magnetic locks control table top movement • Digital detector mounted in table base off floor • Removable grid, 8:1 ratio, 70 line
E7239FX	X-Ray Tube - 140,000 heat unit, 1.0-2.0 mm focal spots
S-RL	Collimator - Manual collimator with swivel mount
10524-15	Cables, Pair - 15' long
CD-91717	Digital Detector <ul style="list-style-type: none"> • 9 Mega pixel • 17" x 17" Field size • 3.4 lp/mm, • CCD technology
PC-T3400	Digital PC <ul style="list-style-type: none"> • Dell Precision T3400 Convertible Mini-Tower, P4 processor • 631 3.00GHz, 2MB L2 Cache 800MHz • 1GB, 667MHz, DDR2 ECC SDRAM memory, 2X512 • Entry level, USB, • Keyboard • Dell Precision workstation • ATI Fire GL V3400, 128MB, dual VGA or dual DVI or DVI+VGA graphic card • 160GB Serial ATA • 10K RPM hard drive with 16MB data burst cache C5- All SATA hard drives • RAID1 for 2 hard drives

View Systems @ www.txr.com



5481 Skyland Blvd.,E – Cottdale, AL 35453 – Phone 205-556-3803 – FAX 205-556-3824

- WINDOWS XP PRO SP2, with Media Dell Precision Dell USB
- 2-Button optical mouse with scroll
- 16X DVD+/-RW w/ Cyberlink Power DVD Roxio digital creator
- 160GB Serial ATA, 10K RPM add'l hard drive with 16MB data burst cache
- 3 Year standard warranty
- Dell hardware warranty plus onsite service, initial year
- Type 3 contract - next business day parts and labor onsite response, 1st year
- Dell hardware warranty plus onsite service, extended year
- Type 3 contract - next business day parts and labor onsite response, 2 year extended
- GOLD TECH phone support, FIXEDWS,INIT (SMB)

Work Station Monitor: 21", 2 mega pixel

Additional Work Station Viewing Software – Unlimited licenses for viewing stations

OPTIONS:

Generator Options:

SHF-320	32 kW generator for 3 phase 220VAC operation
SHF-330	32 kW generator for 3 phase 380 or 480VAC operation
SHF420	40 kW generator for 3 phase 220VAC operation
SHF 430	40 kW generator for 3 phase 380 or 480VAC operation
ITS-HFV	Integrated touch screen control console and image display

Tube Options:

E7242FX	200,000 H.U. 0.6-1.5mm tube, 90° replaces E7239FX
E7252X	300,000 H.U. 0.6-1.2mm tube, 180° replaces E7239FX

Digital Detector

CD-61216	6 Mega pixel, 12" x 16" detector
----------	----------------------------------

Work Station Monitor

PC-WSC	Cart on wheels for monitor and PC
PC-WSW	Wall mount for monitor and PC

WARRANTY:

5 year with exception of collimator and cables which carry a 1 year warranty. Tube first year full, remaining 4 years pro-rata. See PC warranty above.



5481 Skyland Blvd.,E – Cottdale, AL 35453 – Phone 205-556-3803 – FAX 205-556-3824

Configuration V-DUPG
Vet DigitalEase 14 x 17” 6 Mega Pixel Digital Veterinary
Upgrade with Four Way Float Top Table and Attached Tube
Stand

Complete System with Generator Noted

System #	<u>V1D Vet DigitalEase Upgrade</u>
V-DUPG	Table/Tube Stand, Detector, Computer

Catalog No.	Description
DV-4WFT-ITT	Four Way Float Top Table with Fixed SID Attached Tube Stand <ul style="list-style-type: none"> • 60” x 27.5” Four way float top table • Enclosed welded base • Integrated tube stand fixed at 40” SID, centered to detector • Magnetic locks control table top movement • Digital detector mounted in table base off floor • Removable grid, 8:1 ratio, 70 line
CD-61417	Digital Detector <ul style="list-style-type: none"> • 6 Mega pixel • 14” x 17” Field size • 2.8 lp/mm, • CCD technology
PC-T3400	Digital PC <ul style="list-style-type: none"> • Dell Precision T3400 Convertible Mini-Tower, P4 processor • 631 3.00GHz, 2MB L2 Cache 800MHz • 1GB, 667MHz, DDR2 ECC SDRAM memory, 2X512 • Entry level, USB, • Keyboard • Dell Precision workstation • ATI Fire GL V3400, 128MB, dual VGA or dual DVI or DVI+VGA graphic card • 160GB Serial ATA • 10K RPM hard drive with 16MB data burst cache C5- all SATA hard drives • RAID1 for 2 hard drives • WINDOWS XP PRO SP2, with Media Dell Precision Dell USB • 2-Button optical mouse with scroll • 16X DVD+/-RW w/ Cyberlink Power DVD Roxio digital creator • 160GB Serial ATA, 10K RPM add'l hard drive with 16MB data burst cache • 3 Year standard warranty • Dell hardware warranty plus onsite service, initial year • Type 3 contract - next business day parts and labor onsite response, 1st year

View Systems @ www.txr.com



5481 Skyland Blvd.,E – Cottdale, AL 35453 – Phone 205-556-3803 – FAX 205-556-3824

- Dell hardware warranty plus onsite service, extended year
- Type 3 contract - next business day parts and labor onsite response, 2 year extended
- GOLD TECH phone support, FIXEDWS,INIT (SMB)

Work Station Monitor: 21", 2 mega pixel

Additional Work Station Viewing Software – Unlimited licenses for viewing stations

OPTIONS:

Digital Detector

CD-61216 6 Mega pixel, 12" x 16" detector N/C

Work Station Monitor

PC-WSC Cart on wheels for monitor and PC \$1,200

PC-WSW Wall mount for monitor and PC \$350

WARRANTY: 5 years.



5481 Skyland Blvd.,E – Cottdale, AL 35453 – Phone 205-556-3803 – Fax 205-556-3824

V-1 Options

Generator Options:

SHF 320AP-V	32 kW generator for 3 Phase 220VAC Operation
SHF 330AP-V	32 kW generator for 3 Phase 380/480VAC Operation
SHF 420AP-V	40 kW generator for 3 Phase 220VAC Operation
SHF 430AP-V	40 kW generator for 3 Phase 380/480VAC Operation
SF-50	50 HZ operation for TX425 and TX525 generators

Table Options:

VT-36-1 ITT	36" long table, replaces 56" table top
VT-48-1 ITT	48" long table, replaces 56" table top
1011033444	10:1, 103 line grid, replaces 8:1
1011783444	10:1, 178 line grid, replaces 103 line, 8:1
13-FBT-DL	Drop leaf, adds 12" to table length, specify left or right hand mount

Tube Options:

E7242FX	200,000 H.U. 0.6-1.5mm tube, 90° replaces E7239FX
E7252X	300,000 H.U. 0.6-1.2mm tube, 270° replaces E7239FX

Warranty:

HF-WARR-3	Extend HF generator warranty from 2 years to 5 years
-----------	--



5481 Skyland Blvd.,E – Cottdale, AL 35453 – Phone 205-556-3803 – FAX 205-556-3824

***System V-1
Veterinary ITT Stationary Top Fixed SID***

Complete System with Generator Noted

<u>System #</u>	<u>V-1 Veterinary ITT Fixed SID System</u>
V1-TXR425	Single phase, 400 mA, 125 kVp generator
V1-TXR525	Single phase, 500 mA, 125 kVp generator
V1-SHF310AP-V	32 kW HF, 400 mA, APR, control mounts at tube
V1-SHF310APPSU-V	32 kW Battery HF, 400 mA/APR, control mounts at tube
V1-SHF410AP	40 kW HF, 500 mA, APR, control mounts at tube
<i>SHF310AP/410AP Priced for Operation on 1 Phase, 220/240VAC – See Options for 3 Phase</i>	

<u>Catalog No.</u>	<u>Description</u>
VT-56-1 ITT	56" Stationary Top Table with Fixed SID Tube Stand <ul style="list-style-type: none"> • 56" long top table, 32" wide, 32" height • Integrated 40" fixed SID tube stand, no tube angulation • 56" long top table, 32" wide, 32" height
GC-HD 811033444 NS-1001	<ul style="list-style-type: none"> • Heavy duty grid cabinet, travels length of table • 103 line, 8:1 ratio 34-44" focal range grid • Heavy duty manual cassette tray
E7239FX	X-Ray Tube - 140,000 heat unit, 1.0-2.0 mm focal spots with 90° horn angle left)
S-RL-NC	Collimator – Non certified manual collimator
10523-10	Cables, Pair - 10' long

HF Control Mounts at Table

View Systems @ www.txr.com

Prices & Specifications Subject to Change Without Notice
Nov, 2008



5481 Skyland Blvd.,E – Cottdale, AL 35453 – Phone 205-556-3803 – Fax 205-556-3824

V-2 Options

Cat. No.	Description
<u>Generator Options:</u>	
SHF 320AP-V	32 kW generator for 3 Phase 220VAC Operation
SHF 330AP-V	32 kW generator for 3 Phase 380/480VAC Operation
SHF 420AP-V	40 kW generator for 3 Phase 220VAC Operation
SHF 430AP-V	40 kW generator for 3 Phase 380/480VAC Operation
SF-50	50 HZ operation for TX425 and TX525 generators
<u>Table Options:</u>	
VT-36-SM ITT	36" long table, replaces 56" table top
VT-48-SM ITT	48" long table, replaces 56" table top
1011033444	10:1, 103 line grid, replaces 8:1
1011783444	10:1, 178 line grid, replaces 8:1
13-FBT-DL	Drop leaf, adds 12" to table length, specify left or right hand mount
<u>Tube Options:</u>	
E7242FX	200,000 H.U. 0.6-1.5mm tube, 90° replaces E7239FX
E7252X	300,000 H.U. 0.6-1.2mm tube, 270° replaces E7239FX
<u>Warranty:</u>	
HF-WARR-3	Extend HF generator warranty from 2 years to 5 years



5481 Skyland Blvd.,E – Cottondale, AL 35453 – Phone 205-556-3803 – FAX 205-556-3824

System V2 Veterinary ITT Stationary Top Variable SID With Magnetic Locks

Complete System with Generator Noted

<u>System #</u>	<u>V-2 Veterinary ITT Variable SID System</u>
V2-TXR425	Single phase, 400 mA, 125 kVp generator
V2-TXR525	Single phase, 500 mA, 125 kVp generator
V2-SHF310AP-V	32 kW HF, 400 mA, APR, control mounts at tube
V2-SHF310APPSU-V	32 kW Battery HF, 400 mA/APR, control mounts at tube
V2-SHF410AP-V	40 kW HF, 500 mA, APR, control mounts at tube
<i>SHF310AP/410AP Priced for Operation on 1 Phase, 220/240VAC – See Options for 3 Phase</i>	

Catalog No.	Description
VT-56-SM ITT	56” Stationary Top Table with Variable SID Tubestand <ul style="list-style-type: none"> • Enclosed, welded base • 56” long table top, 36” wide, 32” height • Integrated tube stand with tube angulation • Vertical and horizontal tube stand movement • Magnetic locks
GC-HD 811033444 NS-1001	<ul style="list-style-type: none"> • Heavy duty grid cabinet, travels length of table • 103 line, 8:1 ratio 34-44” focal range grid • Heavy duty manual cassette tray
E7239FX	X-Ray Tube - 140,000 heat unit, 1.0-2.0 mm focal spots with 90° horn angle
S-RL-NC	Collimator – Non certified manual collimator
24-10500	Cables, Pair - 10’ long



HF Control Console Mounts at Tube



5481 Skyland Blvd.,E – Cottdale, AL 35453 – Phone 205-556-3803 – Fax 205-556-3824

V-3 Options

Cat. No.	Description
-----------------	--------------------

Generator Options:

SHF 320AP-V	32 kW generator for 3 Phase 220VAC Operation
SHF 330AP-V	32 kW generator for 3 Phase 380/480VAC Operation
SHF 420AP-V	40 kW generator for 3 Phase 220VAC Operation
SHF 430AP-V	40 kW generator for 3 Phase 380/480VAC Operation
SF-50	50 HZ operation for TX425 and TX525 generators

Table Options:

1011033444	10:1, 103 line grid, replaces 8:1
1011783444	10:1, 178 line grid, replaces 8:1
13-FBT-DL	Drop leaf, adds 12" to table length, specify left or right hand mount

Tube Stand Options:

13-MA-V	Floor Ceiling Tube Stand, NO CROSS TRAVEL
13-RA-10	10' Rails, replaces 8'
13-RA-12	12' Rails, replaces 8'

Tube Options:

E7242FX	200,000 H.U. 0.6-1.5mm tube, 90° replaces E7239FX
E7252X	300,000 H.U. 0.6-1.2mm tube, 270° replaces E7239FX

Warranty:

HF-WARR-3	Extend HF generator warranty from 2 years to 5 years
-----------	--



View Systems @ www.txr.com



5481 Skyland Blvd.,E – Cottdale, AL 35453 – Phone 205-556-3803 – FAX 205-556-3824

System V3
Veterinary Suite – 4 Way Float Top Table with F/C Tube Stand With Cross Travel Tubearm

Complete System with Generator Noted

System #	V-3 Vet 4 Way Table, F/C System
V3-TXR425	Single phase, 400 mA, 125 kVp generator
V3-TXR525	Single phase, 500 mA, 125 kVp generator
V3-SHF310AP-V	32 kW HF, 400 mA, APR, control mounts at tube
V3-SHF310APPSU-V	32 kW Battery HF, 400 mA/APR, control mounts at tube
V3-SHF410AP-V	40 kW HF, 500 mA, APR, control mounts at tube
<i>SHF310AP/410AP Priced for Operation on 1 Phase, 220/240VAC – See Options for 3 Phase</i>	

Catalog No.	Description
VT-4WFT	Four Way Float Top Table – 325 Lb. Patient Load
GC-HD	• 60” long 27.5” wide float top table
811033444	• Heavy duty grid cabinet
NS-1001	• 103 line, 8:1 ratio 34-44” focal range grid
	• Heavy duty manual cassette tray
CT-V	Floor Ceiling Tube Stand with Cross Travel
	• Floor to ceiling or floor to wall mounted
	• Fits in ceiling heights of 89.5” to 113.5”
	• Platform tube mount, angulation dial and operator handles
	• Cross travel tube arm provides +/-5” travel
	• Magnetic locks control longitudinal and vertical movement
	• 6 foot tracks
E7239FX	X-Ray Tube - 140,000 heat unit, 1.0-2.0 mm focal spots with 90° horn angle
S-RL-NC	Collimator – Non certified manual collimator
10525-20	Cables, Pair - 20’ long, federal terminations

HF Control Console Mounts at Tube



5481 Skyland Blvd.,E – Cottdale, AL 35453 – Phone 205-556-3803 – Fax 205-556-3824

This Page Intentionally Left Blank



5481 Skyland Blvd.,E – Cottdale, AL 35453 – Phone 205-556-3803 – FAX 205-556-3824

Generators



SHF Series 32 to 84 kW HF Generators – Shown with Optional Pedestal



TXR525 500 mA Standard Frequency Generator

View Systems @ www.txr.com

Prices & Specifications Subject to Change Without Notice
Nov, 2008



5481 Skyland Blvd.,E – Cottdale, AL 35453 – Phone 205-556-3803 – FAX 205-556-3824

Standard Frequency Generator Options

Cat. No. Description

50 HZ Operation

SF-50 50 HZ operation for TX425 and TX525 generators

Interconnect Cables

IC-15 Standard Interconnect Cable is 15 ft. Long – Over 15 ft.

AEC

A3300 Four chamber module, 45’ interconnect cable to x-ray control and 45’ interconnect cable from chamber to AEC control – **Order ion chamber separately, see below**

ICX159 3 Field ion chamber for table

ICX162 3 Field ion chamber, left hand load

ICX192 3 Field ion chamber, right hand load

ICX181 4 Field ion chamber for 14x36” receptors

Tube Options:

E7239GX 140,000 H.U. 1.0-2.0mm tube, 180° replaces E7239FX

E7242FX 200,000 H.U. 0.6-1.5mm tube, 90° replaces E7239FX

E7242X 200,000 H.U. 0.6-1.5mm tube, 270° replaces E7239FX

E7252X 300,000 H.U. 0.6-1.2mm tube, 270° replaces E7239FX

Minimum Wire Size from Distribution Transformer to Room Electrical Cabinet

Generator	Line Voltage	Wire Size At:		
		50 Ft. (15 m)	100 Ft. (30 m)	150 Ft. (45 m)
40 kW - 1 Phase	208/240VAC	AWG 1	AWG 3/0	AWG 4/0
50 kW - 1 Phase	208/240VAC	AWG 2/0	AWG 4/0	AWG 4/0

Recommended wire size listed above are measured from the distribution transformer to the room disconnect. An AWG8 wire may be used if the room does not exceed 10 feet from the control to the disconnect. Lines below or above 240 VAC requires the use of a matching autotransformer.



5481 Skyland Blvd.,E – Cottdale, AL 35453 – Phone 205-556-3803 – FAX 205-556-3824

Generators – Standard Frequency

Catalog No.	Description
TXR425	400 mA. Standard Frequency Generator <ul style="list-style-type: none">• 40 kW, 400 mA, 125 kVp (400 mA @100 kVp)• 600 mAs• Six mA stations, 50/100S, 150/200/300/400L• 1/120th thru 6 second timing• kVp selection, 50/40 to 125 kVp in 1 kV increments• Digital displays of kVp, mA and mAs• Automatic line compensation• ETL Listed, UL/CAN/CSA/FDA
TXR425-TC E7239FX	400 mA. Standard Frequency Generator with: 140kHU, 1.0-2.0 mm focal spots with 90° horns <i>and</i>
10524-15	Cables, Pair - 15' long, federal terminations
TXR525	500 mA Standard Frequency Generator <ul style="list-style-type: none">• 50 kW, 500 mA., 125 kVp (500 mA. @100 kVp)• 600 mAs.• Seven mA stations, 50/100S, 150/200/300/400/500L• 1/120th thru 6 second timing• kVp selection, 50 to 125 kVp in 1 kV increments• Digital displays of kVp, mA and mAs• Automatic line compensation
TXR525-TC E7239FX	500 mA. Standard Frequency Generator with: 140kHU, 1.0-2.0 mm focal spots with 90° horns <i>and</i>
24-15500	Cables, Pair - 15' long, federal terminations

View Systems @ www.txr.com

Prices & Specifications Subject to Change Without Notice
Nov, 2008



5481 Skyland Blvd.,E – Cottdale, AL 35453 – Phone 205-556-3803 – Fax 205-556-3824

High Frequency Generator Options

<u>Cat. No.</u>	<u>Description</u>
<u>Line Voltage Options</u>	
SHF 320AP	32 kW generator for operation on 3 Phase, 220 VAC
SHF 330AP	32 kW generator for operation on 3 Phase, 380/480 VAC
SHF 335AP	32 kW generator for operation on 3 Phase, 380/480 VAC, kVp output increased to 150
SHF 420AP	40 kW generator for operation on 3 Phase, 220 VAC
SHF 430AP	40 kW generator for operation on 3 Phase, 380/480 VAC
SHF 435AP	40 kW generator for operation on 3 Phase, 380/480 VAC, kVp output increased to 150
SUT	Step-UP Transformer, for line power below 210 VAC
<u>AEC</u>	
AEC-HF	Automatic exposure control electronics for high frequency, Generator, accepts one chamber only , see option below For use with multiple chambers – <i>Order ion chamber separately, see below</i>
ADAPTA	Allows use of 3 ion chambers
ICX159	3 Field ion chamber for table
ICX162	3 Field ion chamber, left hand load
ICX192	3 Field ion chamber, right hand load
ICX181	4 Field ion chamber for 14x36” receptors
<u>Tube Options:</u>	
E7239GX	140,000 H.U. 1.0-2.0mm tube, 180° replaces E7239FX
E7242FX	200,000 H.U. 0.6-1.5mm tube, 90° replaces E7239FX
E7242X	200,000 H.U. 0.6-1.5mm tube, 270° replaces E7239FX
E7252X	300,000 H.U. 0.6-1.2mm tube, 270° replaces E7239FX
<u>Miscellaneous</u>	
PED	Pedestal for control console, replaces table mount
STO	Two tube operation
TTO	Three tube operation
HSS-IT	High speed starter, single tube
HSS-2T	High speed starter, two tube
<u>Warranty:</u>	
HF-WARR-3	Extend HF generator warranty from 2 years to 5 years

View Systems @ www.txr.com



5481 Skyland Blvd.,E – Cottdale, AL 35453 – Phone 205-556-3803 – FAX 205-556-3824

Generators – High Frequency

Catalog No.	Description
SHF 310AP	32 kW, 400 mA., 500 mAs High Frequency Generator <ul style="list-style-type: none">• 400 mA, 125 kVp (400 mA @80 kVp)• Seventeen mA stations – 10, 12.5, 16, 20, 25, 32, 40, 50, 64, 80, 100, 125, 160, 200, 250, 320, 400• 0.001 to 10 second time range – 38 stations total• 0.001 to 500 mAs• kVp selection, 40 to 125 kVp in 1 kV increments• Digital displays• Automatic line compensation• APR, Anatomical Programming• Table mount• Exposure hand switch• UL/CE/FDA Listed• For Operation on 1 Phase 220/240VAC, see option for 3 phase
SHF 310AP-V	32 kW, 400 mA., 500 mAs Veterinary Frequency Generator Same as above but with Veterinary Techniques – NO HAND SWITCH
SHF 310AP-TC E7239FX	32 kW, 400 mA., High Frequency Generator with: 140kHU, 1.0-2.0 mm focal spots with 90° horns and
10524-15	Cables, Pair - 15' long, federal terminations
SHF 410AP	40 kW, 500 mA, 500 mAs High Frequency Generator <ul style="list-style-type: none">• 500 mA., 125 kVp (500 mA. @80 kVp)• Eighteen mA stations, 10, 12.5, 16, 20, 25, 32, 40, 50, 64, 80, 100, 125, 160, 200, 250, 320, 400, 500• 0.001 to 10 second timing• 0.1 to 500 mAs• kVp selection, 40 to 125 kVp in 1 kV increments• Digital displays• Automatic line compensation• APR, Anatomical Programming• Table mount• Exposure hand switch• UL/CE/FDA Listed• For Operation on 1 Phase 220/240VAC, see option for 3 phase
SHF 410AP-V	40 kW, 500 mA., 500 mAs Veterinary HF Generator Same as above but with Veterinary Techniques – NO HAND SWITCH
SHF 410AP-TC E7239FX	40 kW, 500 mA, High Frequency Generator With: 140kHU, 1.0-2.0 mm focal spots with 90° horns and
10524-15	Cables, Pair - 15' long, federal terminations

View Systems @ www.txr.com

Prices & Specifications Subject to Change Without Notice
Nov, 2008



5481 Skyland Blvd.,E – Cottdale, AL 35453 – Phone 205-556-3803 – Fax 205-556-3824

High Frequency Generator Options

<u>Cat. No.</u>	<u>Description</u>
<u>Line Voltage Options</u>	
SHF 520AP	50 kW generator for operation on 3 Phase, 220 VAC
SHF 530AP	50 kW generator for operation on 3 Phase, 380/480 VAC
SHF 535AP	50 kW generator for operation on 3 Phase, 380/480 VAC, kVp output increased to 150
SHF 630AP	64 kW generator for operation on 3 Phase, 380/480 VAC
SHF 635AP	64 kW generator for operation on 3 Phase, 380/480 VAC, kVp output increased to 150
SUT	Step-UP Transformer, for line power below 210 VAC
<u>AEC</u>	
AEC-HF	Automatic exposure control electronics for high frequency, Generator, accepts one chamber only , see option below For use with multiple chambers – Order ion chamber separately, see below
ADAPTA	Allows use of 3 ion chambers
ICX159	3 Field ion chamber for table
ICX162	3 Field ion chamber, left hand load
ICX192	3 Field ion chamber, right hand load
ICX181	4 Field ion chamber for 14x36” receptors
<u>Tube Options:</u>	
E7252X	300kHU, 0.6-1.2 mm tube, 270° replaces E7242FX
<u>Miscellaneous</u>	
PED	Pedestal for control console, replaces table mount stand
STO	Two tube operation
TTO	Three tube operation
HSS-IT	High speed starter, single tube
HSS-2T	High speed starter, two tube
<u>Warranty:</u>	
HF-WARR-3	Extend HF generator warranty from 2 years to 5 years

View Systems @ www.txr.com



5481 Skyland Blvd.,E – Cottdale, AL 35453 – Phone 205-556-3803 – Fax 205-556-3824

Generators – High Frequency

Catalog No.	Description
SHF 510AP	50 kW, 640 mA. 500 mAs High Frequency Generator <ul style="list-style-type: none">• 640 mA, 125 kVp (640 mA @78 kVp)• Nineteen mA stations – 10, 12.5, 16, 20, 25, 32, 40, 50, 64, 80, 100, 125, 160, 200, 250, 320, 400, 500, 640• 0.001 to 10 second time range• 0.1 to 500 mAs• kVp selection, 40 to 125 kVp in 1 kV increments• Digital displays• Automatic line compensation• APR, Anatomical Programming• Table mount• Exposure hand switch• UL/CE/FDA Listed• For Operation on 1 Phase 220/240VAC, see option for 3 phase
SHF 510AP-TC E7242FX	50 kW, High Frequency Generator with: 200kHU, 1.0-2.0 mm focal spots with 90° horns <i>and</i>
10524-15	Cables, Pair - 15' long, federal terminations
SHF 630AP	64 kW, 640 mA, 500 mAs High Frequency Generator <ul style="list-style-type: none">• 640 mA., 125 kVp (640 mA. @100 kVp)• Nineteen mA stations, 10, 12.5, 16, 20, 25, 32, 40, 50, 64, 80, 100, 125, 160, 200, 250, 320, 400, 500, 640• 0.001 to 10 second timing• 0.1 to 500 mAs• kVp selection, 40 to 125 kVp in 1 kV increments• Digital displays• Automatic line compensation• APR, Anatomical Programming• Table mount• Exposure hand switch• UL/CE/FDA Listed• For Operation on 3 Phase 380 to 480VAC
SHF 630AP-TC E7242FX	64 kW, High Frequency Generator with: 200kHU, 1.0-2.0 mm focal spots with 90° horns <i>and</i>
10524-15	Cables, Pair – 15' long, federal terminations

View Systems @ www.txr.com

Prices & Specifications Subject to Change Without Notice
Nov, 2008



5481 Skyland Blvd.,E – Cottdale, AL 35453 – Phone 205-556-3803 – Fax 205-556-3824

High Frequency Generator Options

<u>Cat. No.</u>	<u>Description</u>
<u>AEC</u>	
AEC-HF	Automatic exposure control electronics for high frequency, Generator, accepts one chamber only , see option below For use with multiple chambers – <i>Order ion chamber separately, see below</i>
ADAPTA	Allows use of 3 ion chambers
ICX159	3 Field ion chamber for table
ICX162	3 Field ion chamber, left hand load
ICX192	3 Field ion chamber, right hand load
ICX181	4 Field ion chamber for 14x36” receptors
<u>Tube Options</u>	
52-68200	Rad 68, 300kHU, 1.0-2.0 mm focal spots, 90° horns, replaces E7252X
52-68201	Rad 68, 300kHU, 1.0-2.0 mm focal spots, 180° horns, replaces E7252X
<u>Miscellaneous</u>	
PED	Pedestal for control console, replaces table mount
STO	Two tube operation
TTO	Three tube operation
HSS-IT	High speed starter, single tube
HSS-2T	High speed starter, two tube
<u>Warranty:</u>	
HF-WARR-3	Extend HF generator warranty from 2 years to 5 years

View Systems @ www.txr.com



5481 Skyland Blvd.,E – Cottdale, AL 35453 – Phone 205-556-3803 – Fax 205-556-3824

Generators – High Frequency

Catalog No.	Description
SHF 835AP	80 kW, 800 mA., 500 mAs, High Frequency Generator <ul style="list-style-type: none">• 800 mA, 150 kVp (800 mA @100 kVp)• Twenty mA stations – 10, 12.5, 16, 20, 25, 32, 40, 50, 64, 80, 100, 125, 160, 200, 250, 320, 400, 500, 640, 800• 0.001 to 10 second time range• 0.1 to 500 mAs• kVp selection, 40 to 150 kVp in 1 kV increments• Digital displays• Automatic line compensation• APR, Anatomical Programming• Wall mount• Exposure Hand Switch• UL/CE/FDA Listed• For Operation on 3 Phase 380 to 480VAC,
SHF 835AP-TC E7252X	80 kW, High Frequency Generator with: 300kHU, .6-1.2 mm focal spots with 270° horns <i>and</i>
10524-15	Cables, Pair – 15’ long, federal terminations

View Systems @ www.txr.com

Prices & Specifications Subject to Change Without Notice
Nov, 2008



5481 Skyland Blvd.,E – Cottdale, AL 35453 – Phone 205-556-3803 – Fax 205-556-3824

High Frequency Generator Options

<u>Cat. No.</u>	<u>Description</u>
<u>AEC</u>	
AEC-HF	Automatic exposure control electronics for high frequency, Generator, accepts one chamber only , see option below For use with multiple chambers – Order ion chamber separately, see below
ADAPTA	Allows use of 3 ion chambers
ICX159	3 Field ion chamber for table
ICX162	3 Field ion chamber, left hand load
ICX192	3 Field ion chamber, right hand load
ICX181	4 Field ion chamber for 14x36" receptors
<u>Tube Options:</u>	
E7242FX	200kHU. 0.6-1.5mm tube, 90° replaces E7239FX
E7242X	200kHU, 0.6-1.5mm tube, 270° replaces E7239GX
E7252X	300kHU, 0.6-1.2mm tube, 270° replaces E7239FX
<u>Miscellaneous</u>	
PED	Pedestal for control console, replaces table mount
STO	Two tube operation
TTO	Three tube operation
HSS-1T	High speed starter, single tube
HSS-2T	High speed starter, two tube
<u>Warranty:</u>	
HF-WARR-3	Extend HF generator warranty from 2 years to 5 years, (Excludes Batteries)

View Systems @ www.txr.com



5481 Skyland Blvd.,E – Cottdale, AL 35453 – Phone 205-556-3803 – Fax 205-556-3824

Generators – Battery Operated High Frequency

Catalog No.	Description
SHF 310AP PSU	32 kW, 400 mA., 500 mAs, Battery HF Generator <ul style="list-style-type: none">• 400 mA, 125 kVp (400 mA @75 kVp)• Seventeen mA stations – 10, 12.5, 16, 20, 25, 32, 40, 50, 64, 80, 100, 125, 180, 200, 250, 320, 400• 0.001 to 10 second time range• 0.1 to 500 mAs• kVp selection, 40 to 125 kVp in 1 kV increments• Digital displays• Automatic line compensation• APR, Anatomical Programming• Table mount• Exposure Hand Switch• UL/CE/FDA Listed• For Operation on 1 Phase 120 or 240 VAC
SHF 310AP PSU-TC E7239FX	400 mA, Battery HF Generator with: 140kHU, 1.0-2.0 mm focal spots with 90° horns <i>and</i>
10524-15	Cables, Pair - 15' long, federal terminations
SHF 410AP PSU	40 kW, 500 mA, 500 mAs Battery HF Generator <ul style="list-style-type: none">• 500 mA., 125 kVp (500 mA. @80 kVp)• Eighteen mA stations, 10, 12.5, 16, 20, 25, 32, 40, 50, 64, 80, 100, 125, 160, 200, 250, 320, 400, 500• 0.001 to 10 second timing• 0.1 to 500 mAs• kVp selection, 40 to 125 kVp in 1 kV increments• Digital displays• Automatic line compensation• APR, Anatomical Programming• Table Mount• Exposure Hand Switch• UL/CE/FDA Listed• For Operation on 1 Phase 120 or 240 VAC
SHF 410AP PSU-TC E7239FX	40 kW, Battery HF Generator with: 140kHU, 1.0-2.0 mm focal spots with 90° horns <i>and</i>
10524-15	Cables, Pair - 15' long, federal terminations

View Systems @ www.txr.com

Prices & Specifications Subject to Change Without Notice
Nov, 2008



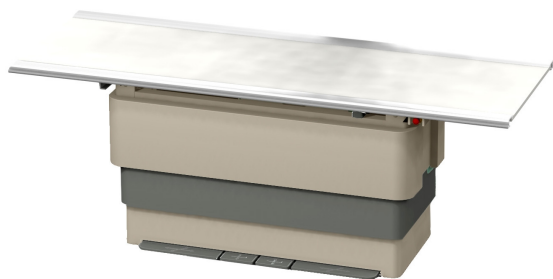
5481 Skyland Blvd.,E – Cottdale, AL 35453 – Phone 205-556-3803 – Fax 205-556-3824

This Page Intentionally Left Blank



5481 Skyland Blvd.,E – Cottdale, AL 35453 – Phone 205-556-3803 – FAX 205-556-3824

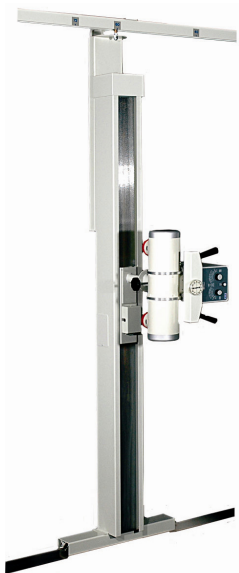
***Tube Stands/Tables/Wall Stands
Cables/Tubes/Collimators/Grids
Grid Cabinets/Buckys/Trays***



***#S-HL High Low Table – Page 56
Float Top Table – Page 56***



#13-FBT-4WFT Four Way



***#13-SM -84M Tube Stand
Page 54***



#13-BF-17E Wall Stand



***#13-BF-17E Wall Stand with
Optional Tilt Mechanism - Page 60***

View Systems @ www.txr.com

Prices & Specifications Subject to Change Without Notice
Nov, 2008



5481 Skyland Blvd.,E – Cottdale, AL 35453 – Phone 205-556-3803 – Fax 205-556-3824

Options Tube Stands

Cat. No.	Description
Model #-8	8 Ft. rails in place of 6 ft.
Model #-10	10 Ft. rails in place of 8 ft.
Model #-12	12 Ft. rails in place of 10 ft.
55-14100	6” Trunnion rings, for Toshiba, Emerald & Diamond Housings
55-19100	6-3/4” Trunnion rings, for Sapphire Housing
TXR1275613	24VAC, 175 VA power supply for electric locks

NOTE: TXR tube stands are equipped with adjustable carriages. The adjustments, which can be made after installation, provides for fine tuning the column, carriage and vertical travel. The adjustments provide accurate alignment and smooth movement for the entire life of the tube stand. Electric locks are powered by a separate magnetic lock power supply which is deactivated by depressing any of the positioning controls.



5481 Skyland Blvd.,E – Cottdale, AL 35453 – Phone 205-556-3803 – Fax 205-556-3824

Tube Stands

Catalog No.	Description
S-FMT	Floor Mount Tube Stand <ul style="list-style-type: none">• 11.8" Transverse travel, 180° rotation, vertical travel 15.7" to 63.8"• Platform tube mount• Electromagnetic brakes control longitudinal, transverse, vertical and tube rotation movements• 86.6" floor track provides 78.7" longitudinal tube travel
C-SM	Floor Ceiling/Wall Rotate Tube Stand <ul style="list-style-type: none">• Floor to ceiling or floor to wall mounted with electric locks• +/-5" Transverse travel, 180° rotation, vertical travel 14.5" to 76"• Platform tube mount, angulation dial and operator handles• Magnetic locks for longitudinal, transverse, vertical & tube roll• Fits in ceiling heights of 96" to 120"• 10 foot tracks
13-CT	Floor Ceiling/Wall Tube Stand – With Transverse Travel <ul style="list-style-type: none">• Floor to ceiling or floor to wall mounted with electric locks• Fits in ceiling heights of 89.5" to 113.5"• Transverse tube arm, 24" focal center from column front, +/-5"• Platform tube mount, angulation dial and operator handles• Magnetic locks control longitudinal, vertical & tube rotation• 8 foot tracks
13-RA-84	Floor Ceiling Tube Stand – Heavy Duty <ul style="list-style-type: none">• Floor to ceiling or floor to wall mounted with electric locks• Fits in ceiling heights of 89.5" to 113.5"• Platform tube mount, angulation dial and operator handles• Magnetic locks control longitudinal, vertical & tube rotation• 22" Focal center from column front with 8' rails• 8 foot tracks
13-SM-84E	Floor Ceiling Tube Stand – Medium Duty <ul style="list-style-type: none">• Floor to ceiling or floor to wall mounted with magnetic locks• Fits in ceiling heights of 89.5" to 113.5"• Platform tube mount, angulation dial and operator handles• Magnetic locks control longitudinal, vertical & tube rotation• 6' foot tracks
13-SM-84M	Floor Ceiling Tube Stand <ul style="list-style-type: none">• Same as above but MANUAL LOCKS

View Systems @ www.txr.com

Prices & Specifications Subject to Change Without Notice
Nov, 2008



5481 Skyland Blvd.,E – Cottdale, AL 35453 – Phone 205-556-3803 – Fax 205-556-3824

Options Medical Tables

Cat. No.	Description
-----------------	--------------------

Applies To S-HL & 13-FBT-HL Models

1011033444	10:1, 103 line grid, replaces 10:1
1011783444	10:1, 103 line grid, replaces 10:1

Applies To 13-FBT-4WFT-E, 13-FBT-4WFT & 13-FBT Models

SHT-TP	Space saving 27.5" x 60" long top, replaces standard Top
BKY	Bucky, replaces grid cabinet
1011033444	8:1, 103 line grid, replaces 10:1
1011783444	10:1, 178 line grid, replaces 10:1, 103 line grid
13-FBT-DL	Drop leaf, adds 12" to table length, specify left or right hand mount (Not available on elevating or #13-FBT-4WFTE tables)

24 Volt Power Supply

TXR12756B	24VAC, 175 VA power supply for electric locks
-----------	---



5481 Skyland Blvd.,E – Cottdale, AL 35453 – Phone 205-556-3803 – Fax 205-556-3824

Medical Tables

Catalog No.	Description
S-HL	Elevating, Four Way Float Top Table -<u>750 Lb. Patient Load</u>
1011033444 NS-1001	<ul style="list-style-type: none">• 86.5" x 31.5" float table top• 43.3" longitudinal and 9.5" lateral table top travel• Collision protection• Super speed bucky• 103 line, 10:1 ratio 34-44" focal range grid• Heavy duty manual cassette tray
13-FBT-4WFT-E	Four Way Float Top Table – 400 Lb. Patient Load
GC-HD 1011033444 NS-1001	<ul style="list-style-type: none">• 78" x 30" float top table• Heavy duty grid cabinet• 103 line, 10:1 ratio 34-44" focal range grid• Heavy duty manual cassette tray
13-FBT-4WFT	Four Way Float Top Table – 325 Lb. Patient Load
GC-HD 1011033444 NS-1001	<ul style="list-style-type: none">• 72" x 27.5" float top table• Heavy duty grid cabinet• 103 line, 10:1 ratio 34-44" focal range grid• Heavy duty manual cassette tray
13-FBT	Stationary Top Table – 325 Lb. Patient Load
GC-HD 10033444 NS-1001	<ul style="list-style-type: none">• 72" x 27.5" table top• Heavy duty grid cabinet• 103 line, 10 ratio 34-44" focal range grid• Heavy duty manual cassette tray
SEMER-001	Mobile Patient Table
	<ul style="list-style-type: none">• 78.75" long, 25.5" wide table top, 27.5" height• Locking casters on front wheel
SEMER-002	Mobile Patient Table
	Same as above but with carbon fiber top

View Systems @ www.txr.com

Prices & Specifications Subject to Change Without Notice
Nov, 2008



5481 Skyland Blvd.,E – Cottdale, AL 35453 – Phone 205-556-3803 – Fax 205-556-3824

Options - Veterinary Tables

Cat. No.	Description
<u>VT-4WFT Options</u>	
1011033444	10:1, 103 line grid, replaces 8:1
1011783444	10:1, 178 line grid, replaces 8:1
<u>VT-56 Options</u>	
VT-36	36" long table, replaces 56" table top
VT-48	48" long table, replaces 56" table top
1011033444	10:1, 103 line grid, replaces 8:1
1011783444	10:1, 178 line grid, replaces 8:1
<u>VT-56-SM ITT Options</u>	
VT-36 SM ITT	36" long table, replaces 56" table top
VT-48 SM ITT	48" long table, replaces 56" table top
1011033444	10:1, 103 line grid, replaces 8:1
1011783444	10:1, 178 line grid, replaces 8:1
<u>VT-56-1 ITT Options</u>	
VT-36-1 ITT	36" long table, replaces 56" table top
VT-48-1 ITT	48" long table, replaces 56" table top
1011033444	10:1, 103 line grid, replaces 8:1
1011783444	10:1, 178 line grid, replaces 8:1
<u>All Models</u>	
TXR12756B	24VAC, 175 VA power supply for electric locks
13-FBT-DL	Drop leaf, adds 12" to table length, specify left or right hand mount

View Systems @ www.txr.com



5481 Skyland Blvd.,E – Cottdale, AL 35453 – Phone 205-556-3803 – Fax 205-556-3824

Veterinary Tables

Catalog No. Description

Non Integrated Tables

VT-4WFT Four Way Float Top Table – 325 Lb. Patient Load

- 60” long, 27.5” wide float top table
- Heavy duty grid cabinet
- 103 line, 8:1 ratio 34-44” focal range grid
- Heavy duty manual cassette tray

GC-HD
811033444
NS-1001

VT-56 56” Stationary Top Table

- Enclosed, welded base
- 56” long table top, 36” wide, 32” height
- Manual lock for grid cabinet
- Heavy duty grid cabinet, travels length of table
- 103 line, 8:1 ratio 34-44” focal range grid
- Heavy duty manual cassette tray

GC-HD
811033444
NS-1001

Integrated Table and Tube Stand

VT-56-SM ITT 56” Stationary Top Table with Variable SID Tube Stand

- Enclosed, welded base
- 56” long table top, 36” wide, 32” height
- Integrated tube stand with tube angulation
- Vertical and horizontal tube stand movement
- Magnetic locks
- Heavy duty grid cabinet, travels length of table
- 103 line, 8:1 ratio 34-44” focal range grid
- Heavy duty manual cassette tray

GC-HD
811033444
NS-1001

VT-56-1 ITT 56” Stationary Top Table with Fixed SID Tube Stand

- 56” long top table, 32” wide, 32” height
- Integrated 40” fixed SID tube stand, no tube angulation
- 56” long top table, 32” wide, 32” height
- Light duty grid cabinet, travels length of table
- 103 line, 8:1 ratio 34-44” focal range grid
- Heavy duty manual cassette tray

GC-HD
811033444
NS-1001

Note: Veterinary tables supplied with open back base to allow placement of transformer or power module in base.

View Systems @ www.txr.com

Prices & Specifications Subject to Change Without Notice
Nov, 2008



5481 Skyland Blvd.,E – Cottdale, AL 35453 – Phone 205-556-3803 – FAX 205-556-3824

Options Wall Stands

Cat. No.	Description
<u>Options for 14x17" Wall Stands</u>	
BKY	14"x17" Bucky, replaces grid cabinet
1011034072	10:1, 103 line grid, replaces 8:1
Tilt Ease III	Tilt mechanism, heavy duty, for grid cabinet or bucky
ICX162	3 Field ion chamber, left hand load
ICX192	3 Field ion chamber, right hand load
1011784072	10:1, 178 line grid, replaces 8:1
FST	Kit to allow wall stand to mount free standing
<u>Options for 14x36" Wall Stands</u>	
36ANS	14 x 36" Par speed bucky
1011031517	10:1, 103 line grid, replaces 8:1
ICX181	4 Field ion chamber for 14x36" receptors
FST	Kit to allow wall stand to mount free standing
<u>Options, All Models</u>	
TXR12756B	24VAC, 175 VA power supply for electric locks

View Systems @ www.txr.com



5481 Skyland Blvd.,E – Cottdale, AL 35453 – Phone 205-556-3803 – Fax 205-556-3824

Wall Stands

Catalog No.	Description
13-BF-7 17M	Wall Stand With 17 x 17” Grid Cabinet-
GC-HD	• Floor to Wall Mount with manual locks
PF ION	• 17”x17” grid cabinet
NS-1001	• Front panel
811034072	• Heavy duty manual cassette tray
	• 103 line, 8:1 ratio, 40” to 72” focal range grid
13-BF-7 17E	Wall Stand With 17 x 17” Grid Cabinet
GC-HD	• Floor to Wall Mount with magnetic locks
PF ION	• 17”x17” grid cabinet
NS-1001	• Front panel
811034072	• Heavy duty manual cassette tray
	• 103 line, 8:1 ratio, 40” to 72” focal range grid
13-BF-7 Euro	Wall Stand With Side Mounted 17 x 17” Grid Cabinet
GC-HD	• Floor to Wall Mount with magnetic locks
PF ION	• 17”x17” grid cabinet mounts off side of column
NS-1001	• Front panel
811034072	• Heavy duty manual cassette tray
	• 103 line, 8:1 ratio, 40” to 72” focal range grid
13-BF-7 36E	Wall Stand With 14 x 36” Grid Cabinet
GC-36-LD	• Floor to Wall Mount with magnetic locks
CJ-AMC	• 14”x36” grid cabinet
C-JT	• Front panel
811031537	• Standard duty manual cassette tray
	• 103 line, 8:1 ratio, 40” to 72” focal range grid

View Systems @ www.txr.com

Prices & Specifications Subject to Change Without Notice
Nov, 2008

Page 71



5481 Skyland Blvd.,E – Cottdale, AL 35453 – Phone 205-556-3803 – Fax 205-556-3824

X- *X-Ray Tubes*

Catalog No. Description

Toshiba X-Ray Tubes

E7239FX	140,000 Heat Unit X-Ray Tube (Left Shoot) 90° cable arms, 1.0-2.0mm focal spot, 3" anode, 16° target
E7239GX	140,000 Heat Unit X-Ray Tube (Right or Left Shoot) 180° cable arms, 1.0-2.0mm focal spot, 3" anode, 16° target
E7239X	140,000 Heat Unit X-Ray Tube (Right Shoot) 270° cable arms, 1.0-2.0mm focal spot, 3" anode, 16° target
E7242FX	200,000 Heat Unit X-Ray Tube (Left Shoot) 90° cable arms, 0.6-1.5mm focal spot, 3" anode, 14° target
E7242GX	200,000 Heat Unit X-Ray Tube (Right or Left Shoot) 180° cable arms, 0.6-1.5mm focal spot, 3" anode, 14° target
E7242X	200,000 Heat Unit X-Ray Tube (Right Shoot) 270° cable arms, 0.6-1.5mm focal spot, 3" anode, 14° target
E7252FX	300,000 Heat Unit X-Ray Tube (Left Shoot) 90° cable arms, 0.6-1.2mm focal spot, 3" anode, 12° target
E7252GX	300,000 Heat Unit X-Ray Tube (Right or Left Shoot) 180° cable arms, 0.6-1.2mm focal spot, 3" anode, 12° target
E7252X	300,000 Heat Unit X-Ray Tube (Right Shoot) 270° cable arms, 0.6-1.2mm focal spot, 3" anode, 12° target

Please contact TXR for availability of tubes not listed.

H.V. Cables, 150 kVp

10523-10	Pair, 10' Cables
10524-15	Pair, 15' Cables
10525-20	Pair, 20' Cables
10536-25	Pair, 25' Cables
10526-30	Pair, 30' Cables
10527-35	Pair, 35' Cables
10530-50	Pair, 50' Cables
10531-55	Pair, 55' Cables
10532-60	Pair, 60' Cables
10533-65	Pair, 65' Cables

View Systems @ www.txr.com



5481 Skyland Blvd.,E – Cottdale, AL 35453 – Phone 205-556-3803 – Fax 205-556-3824

Collimators

<u>Catalog No.</u>	<u>Description</u>
--------------------	--------------------

Medical – Certified Manual Collimators, Rated 150 kVp

S-RL	Ralco, with centering light
70-63000-6	MC-150, with swivel mount, molded plastic housing
70-63000-6	MC-150, with swivel mount, sheet metal housing

Medical – Certified PBL Collimators, Rated 150 kVp

70-43000-1	Linear II Semi-Automatic
70-75000-1	Linear IV Fully Automatic, Continuous SID

Veterinary – Non-Certified Manual Collimators, Rated 125 kVp

S-RL NC	Ralco, with centering light
70-63000-6	MC-150, with swivel mount, molded plastic housing
70-63000-6	MC-150, with swivel mount, sheet metal housing

Grids – Dimensions 17-1/4 x 18-7/8”

<u>Catalog No.</u>	<u>Description</u>
--------------------	--------------------

811033444	8:1 Ratio, 103 Line, 34” to 44” Focal Range
811034072	8:1 Ratio, 103 Line, 40” to 72” Focal Range
1011033444	10:1 Ratio, 103 Line, 34” to 44” Focal Range
1011034072	10:1 Ratio, 103 Line, 40” to 72” Focal Range
1011783444	10:1 Ratio, 178 Line, 34” to 44” Focal Range
1011784072	10:1 Ratio, 178 Line, 40” to 72” Focal Range

Grids – Dimensions 16” x 38”

811031537	8:1 Ratio, 103 Line, 40” to 72” Focal Range
1011031537	10:1 Ratio, 103 Line, 40” to 72” Focal Range

View Systems @ www.txr.com

Prices & Specifications Subject to Change Without Notice
Nov, 2008

Page 73



5481 Skyland Blvd.,E – Cottdale, AL 35453 – Phone 205-556-3803 – Fax 205-556-3824

Parts List

Catalog No.	Description
<u>Contactors</u>	
8910DPA33V02Y244	Contactors, 120V/60 HZ; 110V/50HZ
PK70FQ160	SCR Pack, 80A
T-7776-24	SCR Harness (Timer Board to SCR/Backup Contactor)
<u>Capacitors</u>	
PSU3635	250 VAC Rotor Capacitor with Bracket
SFA66S-3K288B/32107-1	mA Stabilizer Capacitor with Bracket
<u>Footswitches</u>	
T-PFS862-1460-20	Footswitch with 15' Cord, for Table Application (18/3)
T-PRS892-6990-07	Footswitch with 15' Cord for Generator Application (18/4)
<u>Fuses & Circuit Breakers</u>	
C83-XO-11-546-121-D	60 Amp Circuit Breaker(325D, 325M, 425 & 525)
970-970A92WG	Lamp Indicator, Green, 120VAC/2W
970-970A92WA	Lamp Indicator, Amber, 120VAC/2W
<u>Knobs & Dials</u>	
Rogan-MA	mA Selector Knob & Dial Assembly (Specify 300/400/500)
Rogan-TIME	Time Selector Knob & Dial Assembly, 1/120 th to 6 Sec.)
Rogan-kVp	(2) kV Selector Knobs & Dial
<u>Meters</u>	
T-7767	Digital mA Meter with Display (325/425/525)
T-7767-1	mA Display Ribbon Cable
T-7768	Digital kVp Meter with Display (325/425/525)
T-7768-2	kVp Meter Harness
T-7776-2	mAs Display (325/425/525)
<u>PC Boards</u>	
T-7799	Motherboard (325/425/525), May, 1999 to Present
T-7788	Bucky Stand, Mag Pack
T-7801	Table Mag Pack, 13-FBT-4WFT
T-7822	24VAC Power Distribution Board for Coll. & Locks
T-7902	DC Power/mA Circuit Board & Harness
T-7866	130V Diode Board for HV Transformer
T-7792-4	Handle Bar Assembly Board
T-7792-6	Handle Bar Assembly Board
<u>Relays</u>	
R-4PDT-24	24VAC, DPDT (325/425/525)
R-DPDT-120	120VAC, DPDT (325/425/525)
<u>Resistors</u>	
R-100-300	100 Watt – 300 Ohm (R3 Replacement mA/Large)
R-100-500	100 Watt – 500 Ohm (R2 Replacement mA/Small)
R-100-2500	100 Watt – 2500 Ohm (R1 kV Filament)
<u>Ribbon Cables</u>	
10-PIN	10 Pin Ribbon Cable
14-PIN-L	14 Pin Ribbon Cable, Long
14-PIN-S	14 Pin Ribbon Cable, Short
20-PIN	20 Pin Ribbon Cable
26-PIN	26 Pin Ribbon Cable
<u>Rotor Controls</u>	
T-7634	220VAC Rotor Starter
T-7634-1	220VAC Rotor Starter Harness (to Mother Board)
EAO 01-121.012	Prep & Expose Button (325/425/525)
T-7776-23	Timer Switch with Ribbon Cable (325/425/525)

View Systems @ www.txr.com

Prices & Specifications Subject to Change Without Notice
Nov, 2008



5481 Skyland Blvd.,E – Cottdale, AL 35453 – Phone 205-556-3803 – Fax 205-556-3824

Parts List

<u>Catalog No.</u>	<u>Description</u>
<u>Switches</u>	
T-7869	Table/Wall Bucky Switch, 2 Position
T-312-9	Tap Switch (Specify Major or Minor)
T-7780-2	mA Selector Switch, 6/7 Station (Specify if 300 mA)
<u>Timers, Microprocessor</u>	
T-7773-UPGRADE	Timer Board, Timer Switch, Ribbon Cable, Timer Harness, Adaption Plate, 1/120 th Knob/Dial and Jumper for Tube Limit, (if mAs display is not upgraded) <i>For use on 325D units manufactured prior to 1997</i>
T-7776-UPGRADE	Timer Board, Timer Switch, Ribbon Cable, Timer Harness, Adaption Plate, 1/120 th Knob/Dial and Jumper for Tube Limit, (if mAs display is not upgraded) <i>For use on 325M & 525 units manufactured prior to 1997</i>
T-7776CX	Timer Board for 325D Model
T-7776A	Timer Board for 425, 325D & 525 Models
T-7776-23/25	Timer Harness
T-7776-EPROM	EPROM for Tube – Specify Tube Model
<u>Transformers</u>	
625-1	HV Transformer
TXR-18568	50/60 HZ mA Stabilizer with Capacitor – All Models
TXR-7780	Space Charge Transformer
TXR-7751	50/60 HZ Autotransformer for Standard Frequency Gen.
TXR-19359	100V Transformer
10833	125 kVp Cathode Transformer Receptacle
10832	125 kVp Anode Transformer Receptacle
<u>Tube Stands/Bucky Stands/Tables</u>	
88-15	Tube Mount Assembly w/ Manual Lock (older model order stainless steel nose, handlebar & wiring harness)
CT-5	Column Rotation Assembly
TXR/5	5 lb. Trimmer Weight
93-02-4	Handlebar, 4 Button, Excludes Harness
93-02-4 B	Handlebar, 4 Button, PC Board Only
93-02-6	Handlebar, 6 Button, Complete Assembly with Harness
93-02-6 B	Handlebar, 6 Button, PC Board Only
93-02-H	Handlebar Harness (indicate SM, MA, RA, CT or CSM)
426710	Handlebar Assembly, Manual
R6620	Handle Bar Overlay (4 Button Analog)
R9956	Lock, Universal Wire Lock (tube & wall stands (13-FBT-4WFT)
TXR 19377	Lock, Low Profile (13-FBT-4WFT)
88-13	Skateboard Assembly (24" for SM, MA & RA Tube Stands)
88-13-32	Skateboard Assembly (32" for CT Tube Stands)
88-19	Back Bearing Bracket
88-11	Bucky Stand Hardware Kit, 13-BF-7
INT-800	Carriage Assembly Only
JM 500	Carriage Assembly Only
SID	Horizontal SID Pointer
88-07	Column Assembly (with pulleys and side covers)
88-03	Column Cap Assembly (top Cover)
UG1-END	Upgrade Kit for Glides on End of Table
UG1-CAB	Upgrade Kit for Glides Under Grid Cabinet or Bucky
88-02-8	Rail, Nichol Chrome Finish, 8' Long
88-02-10	Rail, Nichol Chrome Finish, 10' Long
CT-10	Top Rail Assembly, 10' Long

View Systems @ www.txr.com



5481 Skyland Blvd.,E – Cottdale, AL 35453 – Phone 205-556-3803 – Fax 205-556-3824

System Warranty Summary

MEDICAL SYSTEMS GP-1 & GP-2

- 1-year full on complete system – Extended warranty available on generator & tube only

MEDICAL SYSTEMS GP-3 & GP-4

- 1-year on elevating table – Extended warranty not available on table
- 5 year on tube stand and wall stand
- 5 year on tube, first year full, remaining four pro-rata
- 5 year on standard frequency generator
- 2 year on HF generator – Additional 3 year optional
- 1 year on collimator, cables and bucky – Extended warranty not available

MEDICAL SYSTEMS GP-5, GP-6, GP-7 & GP-9

- 5 year on table, tube stand and wall stand
- 5 year on tube, first year full, remaining four pro-rata
- 5 year on standard frequency generator
- 2 year on HF generator – Additional 3 year optional
- 1 year on collimator, cables and bucky – Extended warranty not available

URS SYSTEMS GP-8

- 1 year on full system – Extended warranty available on generator & tube only

PORTABLE SYSTEMS GP-10 & Cost Effective Chiro CH-2

- 1 year on full system – Extended warranty not available on portables

CHIRO AND VET SYSTEMS CH-1, CH-3, CH-4 and V1-V3

- 5 year on tube stand and wall stand
- 5 year on tube, first year full, remaining pro-rata
- 5 year on standard frequency generator
- 2 year on HF generator – Additional 3 year optional
- 1 year on collimator, cables and bucky – Extended warranty not available

LOOSE STANDARD FREQUENCY GENERATORS

- 5-year full warranty

LOOSE HIGH FREQUENCY GENERATORS

- 2 year warranty – Additional 3 years optional

View Systems @ www.txr.com

Prices & Specifications Subject to Change Without Notice
Nov, 2008



5481 Skyland Blvd.,E – Cottdale, AL 35453 – Phone 205-556-3803 – Fax 205-556-3824

General Warranty

TXR, Tingle X-Ray LLC, warrants to Buyer that any new x-ray product manufactured by TXR will be free from defects in material and manufacturing workmanship, and will conform to applicable specifications in effect on the date of shipment. The criteria for all testing shall be factory-specified calibration, test procedures and instruments. All product warranties and remedies for warranty failures are limited in time as stated below.

DURATION OF WARRANTY

All TXR standard frequency generators and TXR manufactured tables, tube stands and wall stands shall be warranted for 5 years from the date of shipment by TXR with the following exceptions:

All high frequency generators are warranted for 2 years from the date of shipment by TXR, CTM (Ceiling Tube Mount), elevating tables and floor mount tube stands carry a 1 year warranty. Cost effective Chiropractic systems (CH-2) carry a 1 year warranty.

1. Any third party items, or parts not manufactured by TXR, carry their own original equipment manufacture warranties.
2. Collimators and high tension cables carry the warranties of their respective manufacturers.
3. High frequency portables and URS systems are warranted for 1 year
4. X-Ray Tubes: Toshiba tubes, supplied as part of a complete system or generator package , carry a full warranty the first year and an additional 48 month pro-rata warranty. Purchase price adjustment on the repaired or replaced x-ray tube will be on a pro-rata basis from date of shipment.
5. All other tubes supplied by TXR carry their original manufacturer's warranty.

FREIGHT TERMS FOR WARRANTY REPLACEMENTS

TXR will pay ground transportation on parts shipped under warranty, if failure occurs at time of initial installation. If special arrangements are required (i.e., air shipment), the buyer will be responsible for freight charges. Special arrangements will require a preferred shipping company or method of shipment and account number be provided.

Parts returned for warranty consideration must have the TXR RA number marked on the outside of the box and be returned freight prepaid. We cannot accept collect shipments. Our receiving department will refuse any shipment that arrives freight collect.

PLEASE CALL THE FACTORY AT 205-556-3803 FOR AN RA NUMBER PRIOR TO RETURNING ANY PARTS TO THE FACTORY

Any component furnished without charge to the Buyer during the warranty period to correct a warranty failure shall be warranted only to the extent of the unexpired term of the warranty of the original product.

View Systems @ www.txr.com



5481 Skyland Blvd.,E – Cottdale, AL 35453 – Phone 205-556-3803 – Fax 205-556-3824

WARRANTY EXCLUSIONS

The foregoing warranties are exclusive and in lieu of all warranties, whether written, oral, express or implied . No implied warranty of merchantability or fitness for particular purpose shall apply. The warranties and remedies available to the buyer are conditioned upon the buyer inserting the date of original installation and all other requisite information on the TXR product warranty cards and returning these cards to TXR promptly within 30 days of installation of the product.

Warranty coverage does not include any defect or deficiency (including failure to conform to product descriptions or specifications), which result, in whole, or in part from (1) negligent storage or handling of the product by the buyer, its employees, agent or contractors; (2) failure of buyer to prepare the site or provide power requirements or operating environmental conditions in compliance with any applicable instructions or recommendations of TXR; (3) the absence of any product, component or accessory recommended by TXR but omitted at the buyer's direction; (4) any design, specification or instruction furnished by buyer, its employees, agent or contractors; (5) any alteration of the product by persons other than, or approved by TXR; (6) combining TXR's product with any product furnished by others; (7) combining incompatible products of TXR, including but not limited to, buckys, collimators, etc.; (8) improper or extraordinary use of the product, improper maintenance of the product or failure to comply with any applicable instructions or recommendations of TXR; or (9) acts of GOD, acts of civil or military authority, fires, floods, strikes or other labor disturbances/wars/riots, or other causes beyond the reasonable control of TXR. TXR does not warranty any product of others where TXR serves as a distributor or reseller, other than those expressly stated herein.

BUYER'S REMEDIES

TXR determines if any product fails to meet warranty during the applicable warranty period. TXR shall correct any failure by repairing, adjusting or replacing any defective or nonconforming product, or defective part or parts of the product. TXR shall have the option to furnish either new or remanufactured replacement parts or assemblies.

Installation, troubleshooting or repair services are not included in this warranty. Warranty of service is the responsibility of the dealer selling the equipment. These remedies set forth herein are conditioned upon buyer promptly notifying TXR, within the applicable warranty period, of any defect or non-conformance and making the product available for correction at a mutually agreed upon time and place.

The preceding paragraph set forth Buyer's exclusive remedies and TXR's sole liability for claims based upon failure of the product to meet any warranty, whether the claim is in contract, warranty, tort (including negligence and strict liability) or other wise and however instituted, and, upon the expiration of the applicable warranty period, all liability shall terminate. In no event shall TXR be liable for special or consequential damages.



5481 Skyland Blvd.,E – Cottdale, AL 35453 – Phone 205-556-3803 – Fax 205-556-3824

Terms and Conditions

ORDER ACCEPTANCE AND EFFECT

For improved efficiency and accuracy, TXR requires written Purchase Orders for systems, components, warranty parts and non-warranty parts, be submitted prior to the processing of the order. We will accept a clear and legible fax.

Purchase and acceptance of TXR products shall constitute buyer's acceptance of the terms and conditions contained herein. Notwithstanding anything herein to the contrary, acceptance of each individual buyer's orders is subject to final credit approval by TXR.

TXR reserves the right to refuse, cancel, or suspend any order at anytime due to buyer's credit standing, violation of terms of payment, or terms and conditions of sale, or for causes beyond TXR's reasonable control.

TERMS OF SALES AND PAYMENT

All prices are F.O.B TXR Cottdale, Alabama. Payment shall be Net thirty (30) days from the date of shipment for customers with established open account with us. If no open account is established then the payment terms are wire transfer of full amount prior to shipment.

Accounts outstanding thirty one (31) days or more from date of invoice may, at TXR's sole discretion, be subject to interest on the unpaid balance at greater of the rate of one and one-half percent (1¹/₂%) per month or the maximum rate permitted by law. TXR shall also be entitled, in addition to all other remedies available at law or in equity, to recover from buyer legal fees and other expenses incurred in collecting monies due them.

TXR reserves the right to refuse, cancel, or suspend any order at anytime due to buyer's credit standing or violation of terms of payment.

RESTOCKING CHARGE

In the event that TXR authorizes buyer to return unused products or parts in new condition for credit and restocking, TXR will apply a charge equal to the lesser of fifteen percent (15%) of the net sales price of any such returned products or a minimum charge of one hundred and fifty (\$150.00).

REGULATORY REPORTING REQUIREMENTS

The Buyer, TXR's principal OEM, distributor, or dealer customer will provide to TXR all names, addresses, and serial numbers of purchasers of certified equipment located in the USA within fifteen (15) days of installation. In the event TXR's principal customer elects to retain these records for FDA/CDRH inspection, they must notify TXR in writing of its acceptance of this responsibility. Not supplying the required information will also be evidence of TXR's principal customer accepting this FDA responsibility.

TXR FDA Registration Number 1033419 – Owner/Operator #9039772
--



Tingle X-Ray Products, LLC
5481 Skyland Blvd.,E – Cottondale, AL 35453 – Phone 205-556-3803 – FAX 205-556-3824
sales@www.txr.com

Serving The Worldwide Market For 35 Years



TXR International Partners:

Latin America

TXR Latin America
Phone: 305-477-0688
Fax: 305-477-5351
Rafael@advanced-inst.com

Southeast Asia

Anh Khoa Col., Ltd.
Phone: 848-856-2460
Fax: 848-955-2158
anhkhoavt@hcm.vnn.vn

Eastern Export Countries

GMD
Phone: 215-942-9200
Fax: 215-322-6006
info@gmdltd.com

TXR equipment listed in this catalog comply with FDA and Product Safety requirements.

View Systems @ www.txr.com

Specifications & Prices Subject to Change Without Notice