



www.medlinkimaging.com

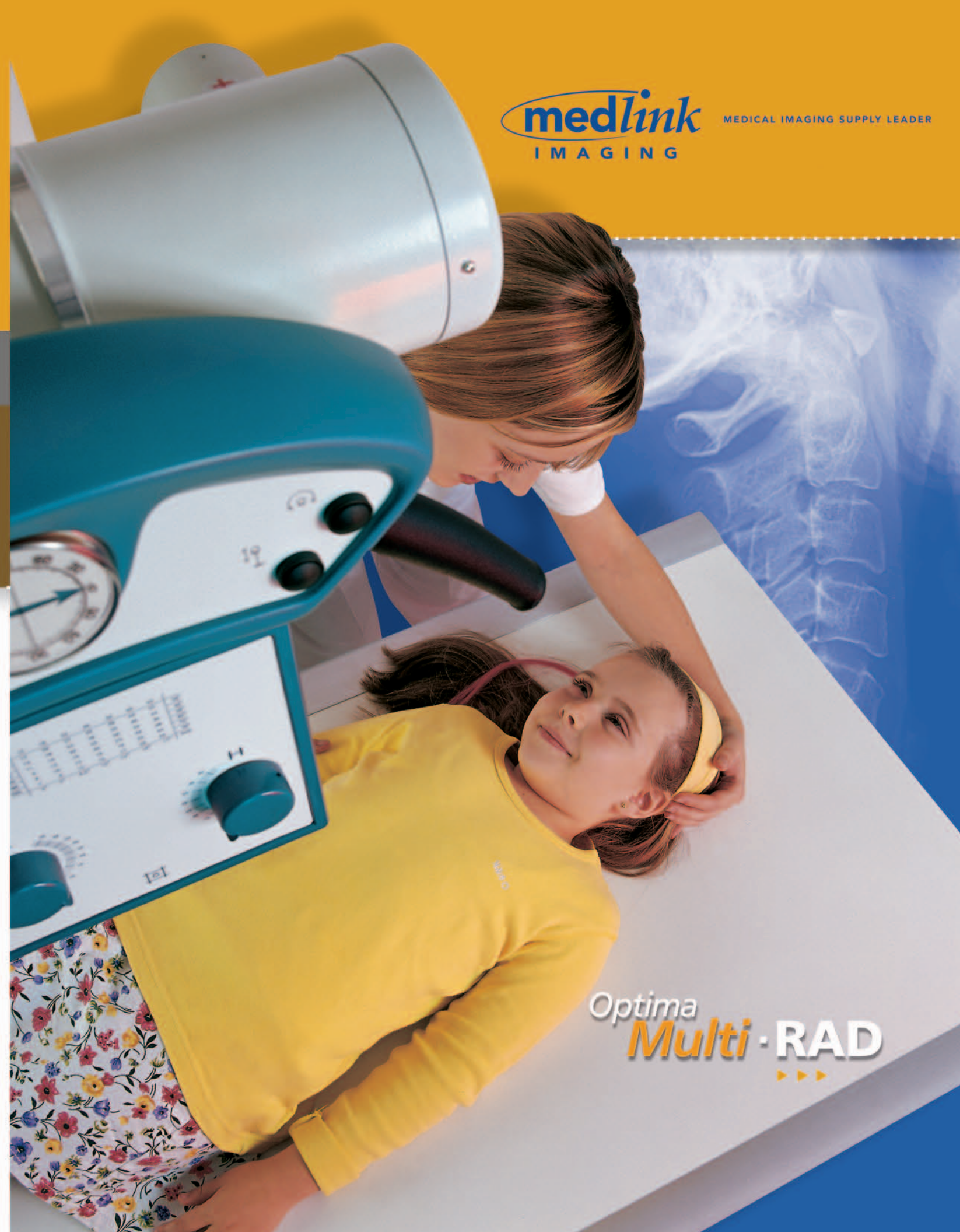


New York Corporate Office
& Distribution Center
200 Clearbrook Road
Elmsford, NY 10523

Toll Free: 800-456-7800
914-347-0102
Fax: 888-437-9729
www.medlinkimaging.com

Specifications subject to change without prior notice

California Distribution Center
517 Maple Avenue
Carpinteria, CA 93013



Optima
Multi-RAD

Optima Multi-RAD



The Optima Multi-RAD system has been designed to enable a wide range of applications within the most demanding environments.

An attractive design and the highest quality are featured in all its components.

The Optima Multi-RAD is an affordable general purpose radiographic system with freedom of movement and multiple configurations for a wide range of table, wall stand, wheel chair and stretcher examinations. Its solid design ensures outstanding reliability even in the most demanding environments such as hospitals and private offices.



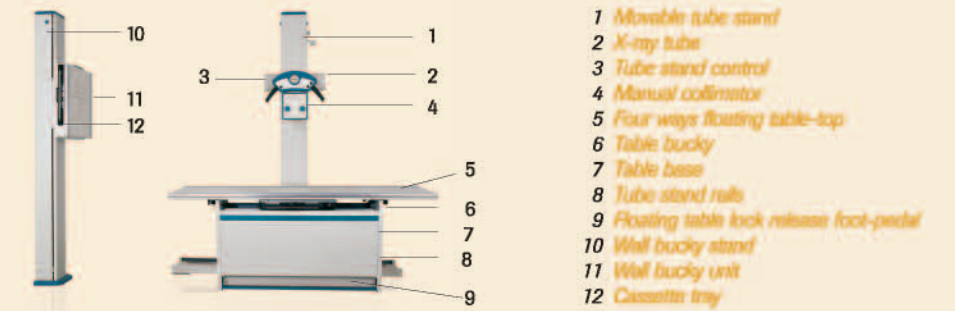
Large patient positioning range

The four way floating table top extends radiographic coverage. Heavy-duty electric locks secure a stable surface for all aspects of radiographic geometry.

The table top is manufactured from low absorption material to ensure high contrast, scatter-free images and reduced patient exposure. The table top is stain resistant and designed to support up to 200 kgs (440'92 lb).

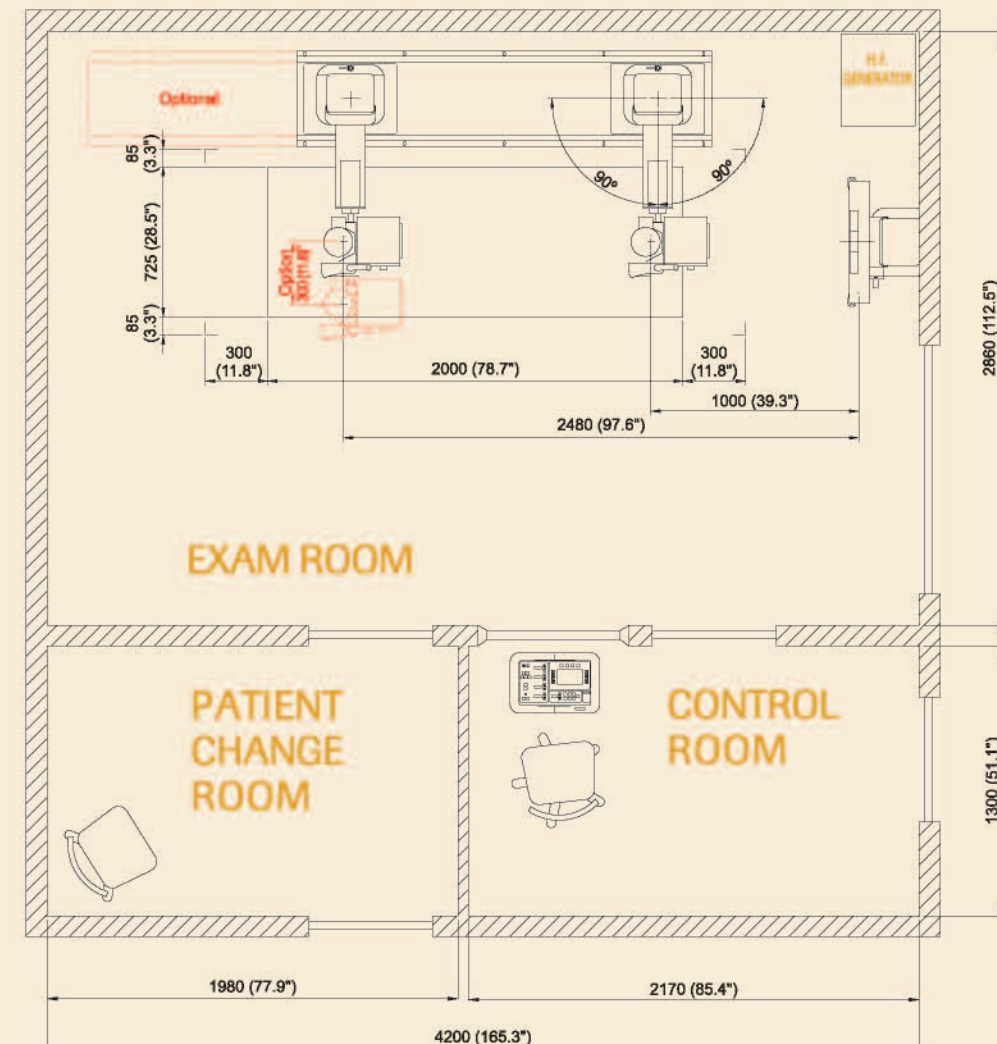
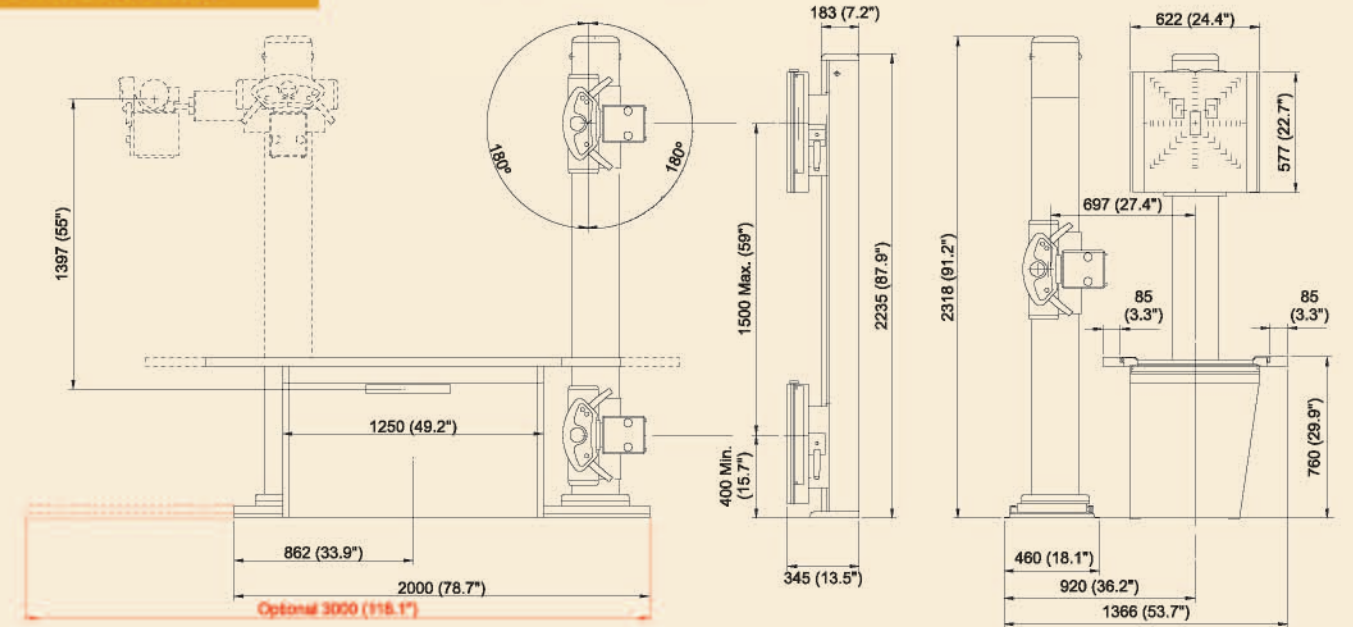
The "floating" table top has a very large range of longitudinal and transversal movements. By pressing the full-length foot switch, the electromagnetic brakes are released for all directions.

The radiographic accessories (lateral cassette holder, compression band, etc.) can be quickly and safely attached to the table top.



- 1 Movable tube stand
- 2 X-ray tube
- 3 Tube stand control
- 4 Manual collimator
- 5 Four way floating table-top
- 6 Table bucky
- 7 Table base
- 8 Tube stand rails
- 9 Floating table lock release foot-pedal
- 10 Wall bucky stand
- 11 Wall bucky unit
- 12 Cassette tray

DIMENSIONS



TYPICAL ROOM LAYOUT

TABLE/BUCKY

Table top dimensions	200 cm x 72,5 cm
Height from floor	77.5 cm
Table top composition	Laminated structure (according to EN 438 standard)
Table top-to-film distance	9.0 cm
Table top Al. equivalence	< 0.5 mm Al. at 100 kVp
Table top weight limit	200 kg
Table top movement	Manual, 4-way floating top
Longitudinal Travel	60 cm(+30 cm, -30 cm)
Transverse table top travel	17 cm(+8.5 cm,-8.5 cm)
Table Locks	Electromagnetic locks
Table Lock controls	Full-length foot switch along table base
Table Bucky	Super speed
Bucky travel	44 cm- Total center to center
Total center-to-center Radiographic coverage	161 cm (min)
Grid	40 lines/cm - 12:1 line ratio Focused at 100 cm
Cassette sizes	All sizes from 18 to 43 cm either orientation

FLOOR-MOUNTED TUBESTAND

Design	Manual movement, with fully counter balanced horizontal tube arm
Longitudinal tube travel	148 cm
Vertical tube travel	150 cm
Focal stop-to-floor distance	Variable from 40 to 190 cm
X-ray tube rotation	+/- 180° (detents at + 90°, 0°, -90°)
Tubestand column rotation	+/- 90° (detents at+90°, 0°, -90°)
Locks	Electromagnetic brakes
Tube arm console controls	Longitudinal, vertical, rotational and telescopic lock control buttons
Autocentering	Mechanical attachment allows for cassette centering with X-ray beam

COLLIMATOR

Collimator type	Manual (Multilayer, square field X ray collimator, 6 pairs of lead-lined shutters)
Field lamp	100 W, 24 VAC
Lighting timer	30 sec.
Average luminosity	160 lx.
Alignment light	lamp
Inherent filtration	2.0 mm aluminium (IEC 60601-1-3)
Automatic collimation with cassette size sensing tray	Retractable measuring tape
	SID measuring Option

WALL BUCKY

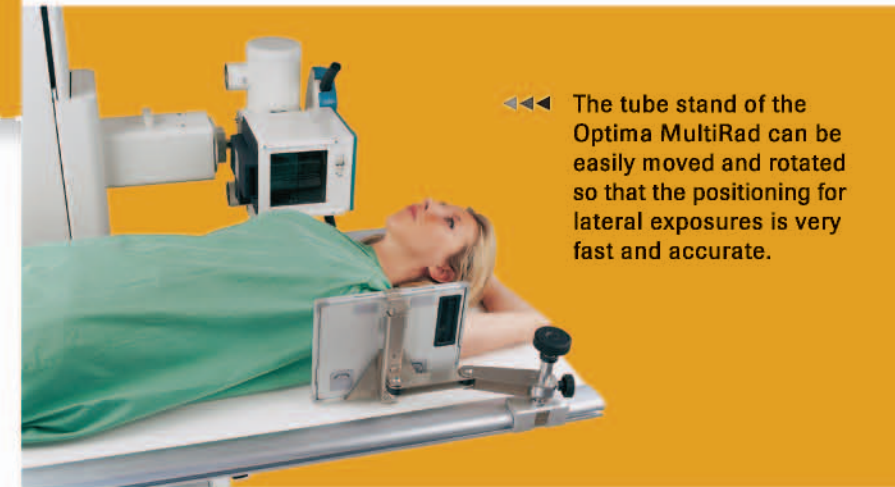
Standard type	Non-tilting Bucky
Bucky	Super speed
Vertical Bucky travel	150 cm (from 40 to 190 cm)
Table-top-film distance	4.5 cm
Vertical movement	Manual, fully counterbalanced 43 cm film center-to-floor
Minimum distance from floor to the field center	40 cm
Cassette sizes	All sizes from 18 to 43 cm either orientation
Grid	40 lines /cm - 12:1 - line ratio Focused at 150 cm
Bucky front Al. equivalence	<1 mm at 100 KVp
Locks	Mechanical brakes
Cassette load	Left or Right load
Weight	145 kg

OPTIONS

AEC (Automatic Exposure Control)	Wall Bucky ion chamber + Table ion chamber
Tube arm telescopic travel	30 cm, with detent at table center
Tube Stand longitudinal travel	3 meters length

OPTIONAL ACCESSORIES

Support for standing examinations	
External cassette holder	35 x 43 cm; 30 x 90 to 30 x 120 cm cassette size
Lateral cassette holder	18 x 24 cm to 35 x 43 cm
Head holder	
Compression band	
Hand grids	
Gonad Shield	
Shoulder rest (Walk bucky stand)	



◀◀ The tube stand of the Optima MultiRad can be easily moved and rotated so that the positioning for lateral exposures is very fast and accurate.



Vertical wall stand

The wall stand is counterbalanced and easily positioned. With its dual lock release handles, positioning can be done from either the left or right hand side. Vertical tube positioning can be done easily to accommodate exams from ankle to skull.

Of course all chest and abdomen examinations can be easily performed.

The wall stand is available in either left-hand or right-hand load configurations with a reciprocating bucky (optional) and an Ion Chamber for A.E.C. (optional).

A.E.C. may be utilized in either 2-point or 3-point modes. The A.E.C. algorithms and sensors automatically determine the correct mA and time of exposure, which are displayed after completion of the exposure. The wall stand is available with a knee extension including a patient support handle for PA and Lateral projections.



The counter-balanced tube stand provides a smooth vertical movement. For exposures using the wall stand, the tube column can be moved past the table on either on the right or left-hand side. On either side, the vertical range of movement of the tube assembly can be lowered to a source-to-floor distance of only 40 cm. (15'75 inches).



Overhead tube support

The ergonomically designed console handle along with motion assisted counterbalancing allows easy positioning with flexibility and functionality to accurately position the tube for optimal diagnostic results in all radiographic procedures.

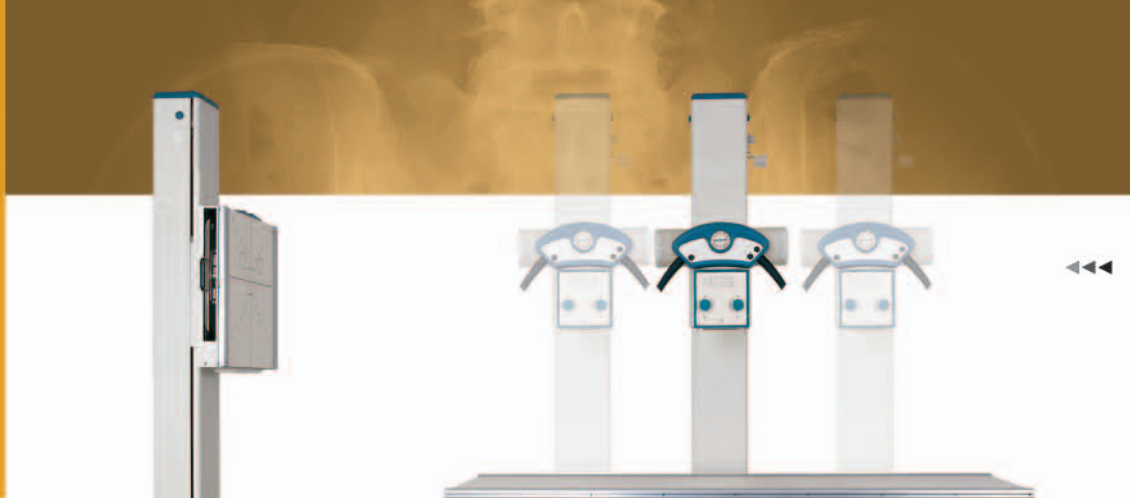
Collimator

The manual collimator effectively limits the field of exposure during radiography. The collimator includes metric and inch scales, a bucky centering light and an easily customer changeable collimator lamp.

Tube

The tube is available in low speed and high-speed versions to meet the needs of the hospitals and clinics. The dual focal spots on all tubes allow for dose control and penetration requirements.

Multi-RAD



Wide range of applications. The large range of table movement, the manually adjustable top, the manually adjustable Bucky and the floor column permit exposures from head to toe - without having to reposition the patient.

Easy to use and ergonomic

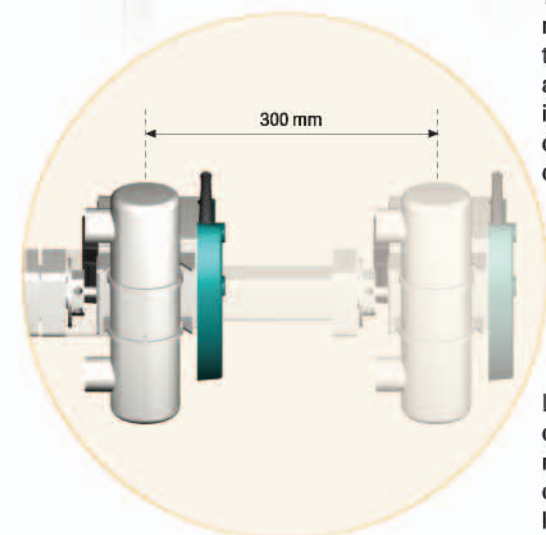
The Optima Multi-Rad system offers all the comforts that make exam positioning easier. This includes fast and flexible system operation from excellent ergonomically designed equipment with the operator in mind.

These features will support you from the start.

User Interfaces are clear and intuitive. The operator will find the equipment easy to learn and quick to set up.

The ergonomically designed system control enables faster and safer examination procedures.

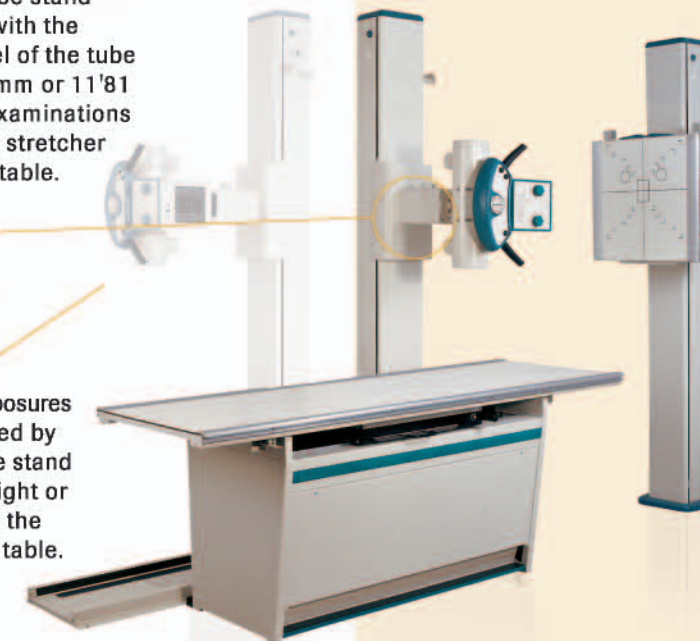
The Tube Stand is floor mounted and free standing. All movements are controlled at the front of the control arm by the operator control panel which includes the lock control switches. These lock control switches control the longitudinal, tube rotation and vertical column lock release. There is an angulation dial on the front of the control panel to indicate the x-ray tube angle.



Optional

The +90/-90 tube stand rotation along with the telescopic travel of the tube arm (up to 300mm or 11'81 inches) allow examinations of patients on a stretcher or gurney style table.

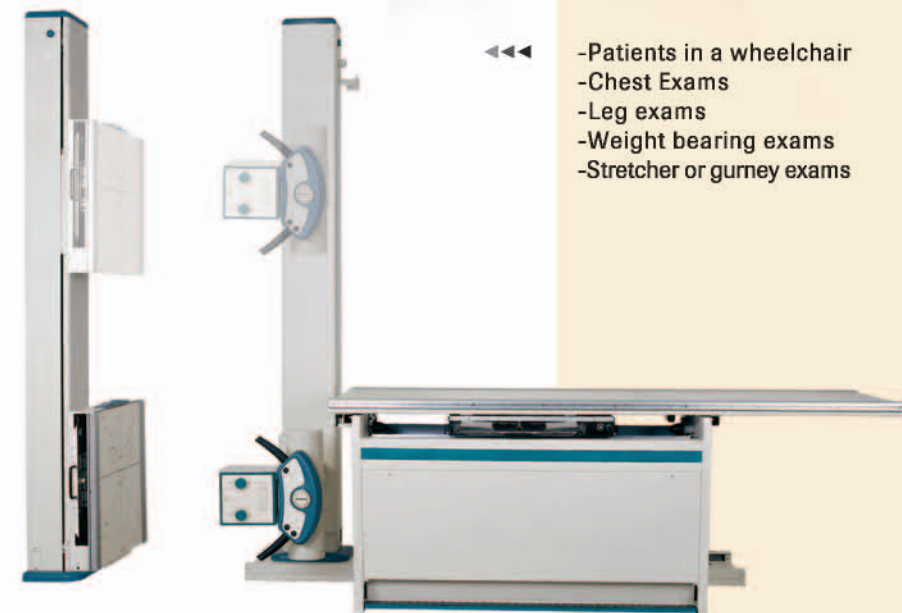
Lateral beam exposures can be performed by rotating the tube stand column to the right or left and making the exposure cross table.



Unrestricted patient access ensures faster and more comfortable examination procedures.



The wall bucky stand can be configured for a left hand or right hand load operation depending on the room layout requirements.



- Patients in a wheelchair
- Chest Exams
- Leg exams
- Weight bearing exams
- Stretcher or gurney exams